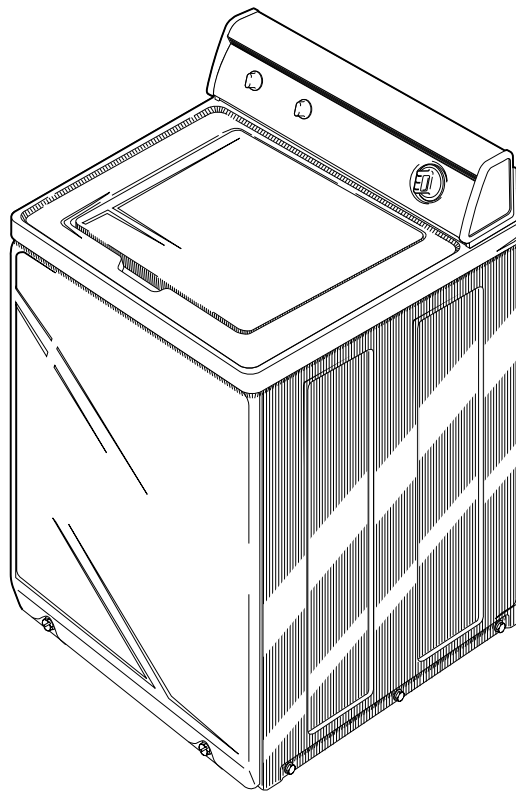


Homestyle Automatic Washers

Refer to Page 2 for Model Numbers



W424SE1A

Table of Contents

Title	Page
Model Identification	2
Parts Ordering Information	3
Nameplate Location	3
Graphic Panel, Control Mounting Plate and Controls	4
Graphic Panel, Control Mounting Plate and Controls	6
Graphic Panel, Control Mounting Plate and Controls	8
Graphic Panel, Control Mounting Plate and Controls	10
Loading Door Switch Assembly	12
Cabinet Top, Loading Door and Control Hood Rear Panel	14
Inlet Hose, Fill Hose, Mixing Valve and Mounting Bracket	16
Motor, Mounting Bracket, Belt, Pump and Idler Assembly	18
Agitator, Drive Bell, Seal Kit, Washtub and Hub	20
Agitator, Drive Bell, Seal Kit, Washtub and Hub	22
Agitator, Drive Bell, Seal Kit, Washtub and Hub	24
Agitator, Drive Bell, Seal Kit, Washtub and Hub	26
Outer Tub, Cover, Pressure Hose and Counterweight	28
Outer Tub, Cover, Pressure Hose and Counterweight	30
Drain Hose and Siphon Break Kit	32
Weldment and Bearing Assembly, Brake and Pulley	34
Transmission Assembly	36
Front Panel, Base Assembly and Cabinet Kit	38
Mixing Valve and Motor Connection Blocks, Terminals and Extractor Tool	40
Power Cord and Terminals	42
Terminals	44
Special Tools	46
Special Tools	48
Wire Harnesses	50
Wires	50
Parts Index	51

© Copyright 2002, Alliance Laundry Systems LLC

All rights reserved. No part of the contents of this book may be reproduced or transmitted in any form or by any means without the expressed written consent of the publisher.

Model Identification

Information in this manual is applicable to these washer models:

Model Number	1 Speed Motor	2 Speed Motor	3 Speed Motor	Porcelain Washtub (cu. ft.)	Stainless Steel Washtub (cu. ft.)
LWS01A*	X			2.9	
LWS01A*C	X			2.9	
LWS01B*	X			2.9	
LWS01M*	X			2.9	
LWS01N*	X			2.9	
LWS02A*	X			3.3	
LWS02B*	X			3.3	
LWS02M*	X			3.3	
LWS02N*	X			3.3	
LWS04M*	X				3.3
LWS04N*	X				3.3
LWS16A*	X			3.3	
LWS16B*	X			3.3	
LWS16M*	X			3.3	
LWS16N*	X			3.3	
LWS17A*	X				3.3
LWS17B*	X				3.3
LWS17M*	X				3.3
LWS17N*	X				3.3
LWS45A*		X			3.3
LWS45B*		X			3.3
LWS45M*		X			3.3
LWS45N*		X			3.3

* Add Letter To Designate Color. L – Almond W – White Q – Bisque

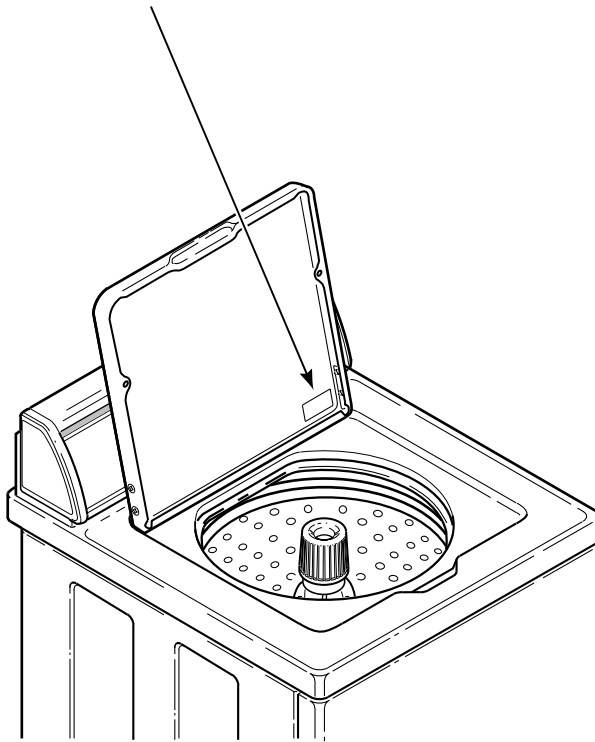
Parts Ordering Information

If literature or replacement parts are required, contact the source from whom the machine was purchased or contact Alliance Laundry Systems at (920) 748-3950 for the name and address of the nearest authorized parts distributor.

For technical assistance, call (920) 748-3121.

Nameplate Location

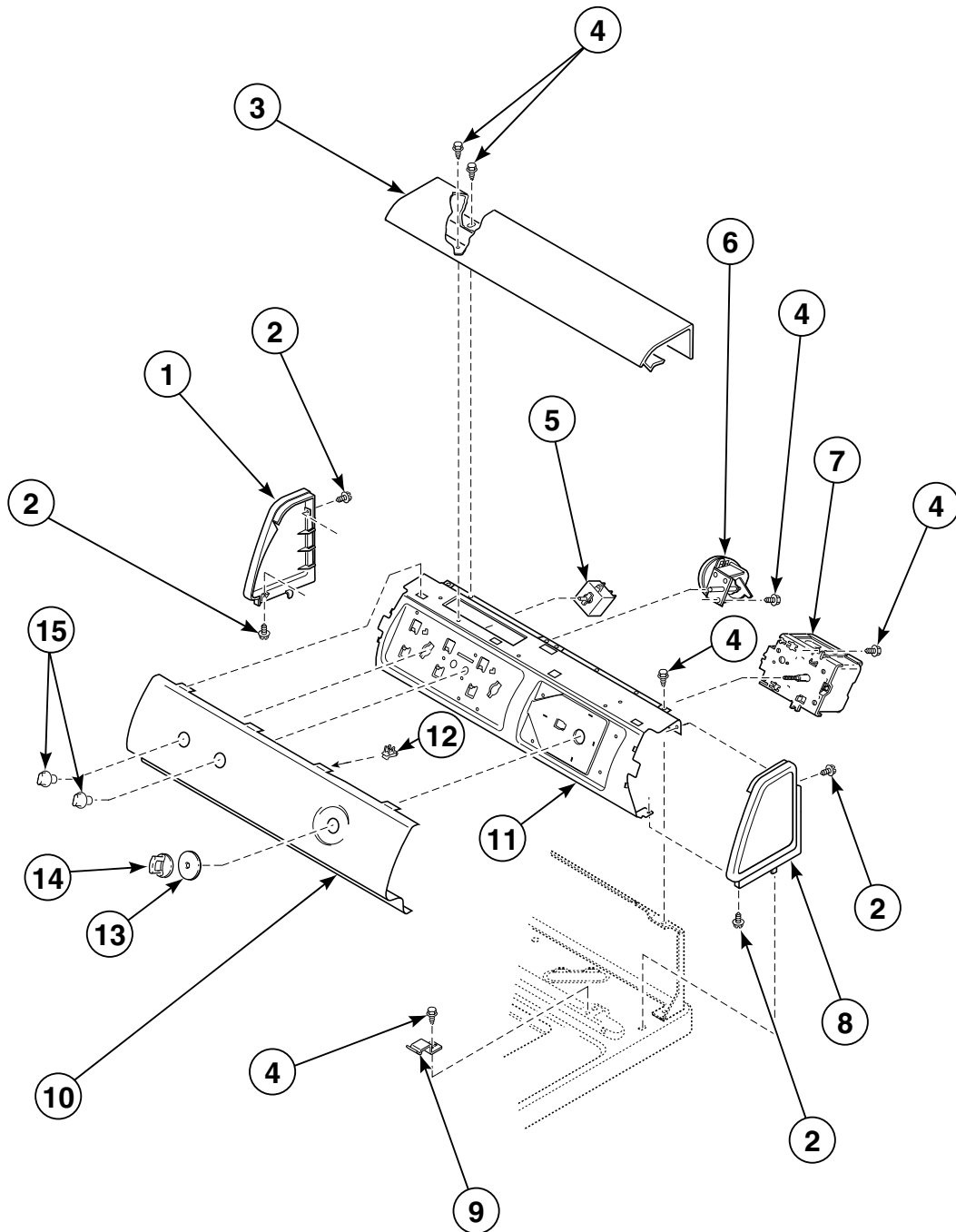
When calling or writing about your product, be sure to mention model and serial numbers. Model and serial numbers are located on nameplate(s) as shown.



W429SE1B

Graphic Panel, Control Mounting Plate and Controls

Models LWS01A*, LWS01A*C, LWS01B*, LWS01M*, LWS01N*, LWS02A*,
LWS02B*, LWS02M*, LWS02N*, LWS04M* and LWS04N*



W320PZ3A

* Add Letter To Designate Color. L – Almond W – White Q – Bisque

Graphic Panel, Control Mounting Plate and Controls

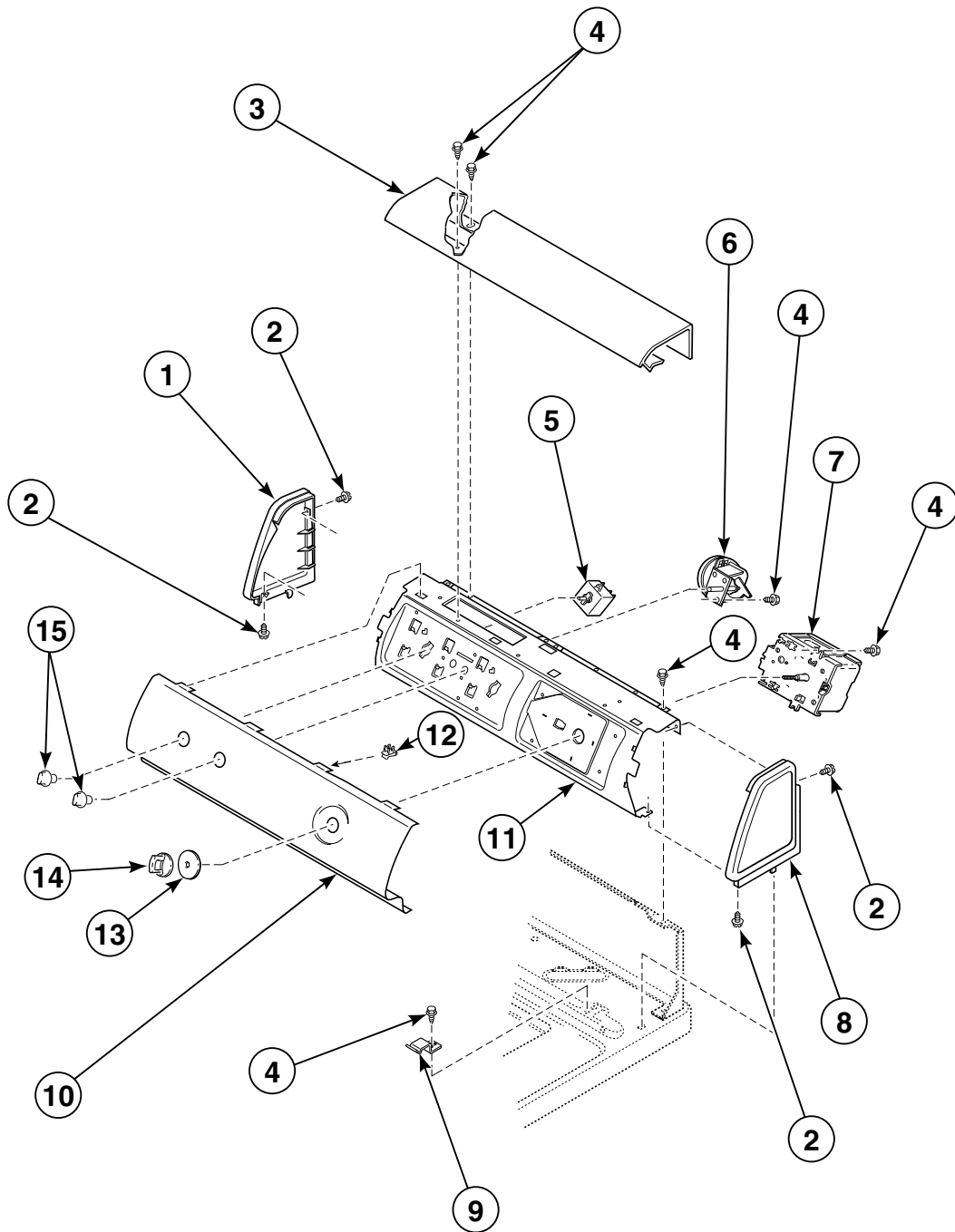
Models LWS01A*, LWS01A*C, LWS01B*, LWS01M*, LWS01N*, LWS02A*,
LWS02B*, LWS02M*, LWS02N*, LWS04M* and LWS04N*

REF	PART #	DESCRIPTION	COMMENTS
1	504009*	End Cap	Left
2	501086	Screw	
3	39905*	Top Cover	
4	23962	Screw	
5	35115	Temperature Switch	3 position
6	39023	Pressure Switch	Model LWS02A*, LWS02B*, LWS02M* and LWS02N*
	39035	Pressure Switch	All other models
7	200927	Timer	
8	504008*	End Cap	Right
9	35358	Hold-Down Clip	
10	200954*	Graphic Panel	Models LWS04M* and LWS04N*
	38887*	Graphic Panel	All other models
11	38171	Control Mounting Plate	
12	00161	Ground Clip	
13	38841W	Timer Knob Skirt	White; Models LWS01A* and LWS02A*
	36700*	Timer Knob Skirt	All other models
14	33898W	Timer Knob	White; Models LWS01A* and LWS02A*
	35333*	Timer Knob	All other models
15	33688	Control Knob	White; Models LWS01A* and LWS02A*
	36701*	Control Knob	All other models

* Add Letter To Designate Color. L – Almond W – White Q – Bisque

Graphic Panel, Control Mounting Plate and Controls

Models LWS16A*, LWS16B*, LWS16M* and LWS16N*



W320PZ3A

* Add Letter To Designate Color. L – Almond W – White Q – Bisque

Graphic Panel, Control Mounting Plate and Controls

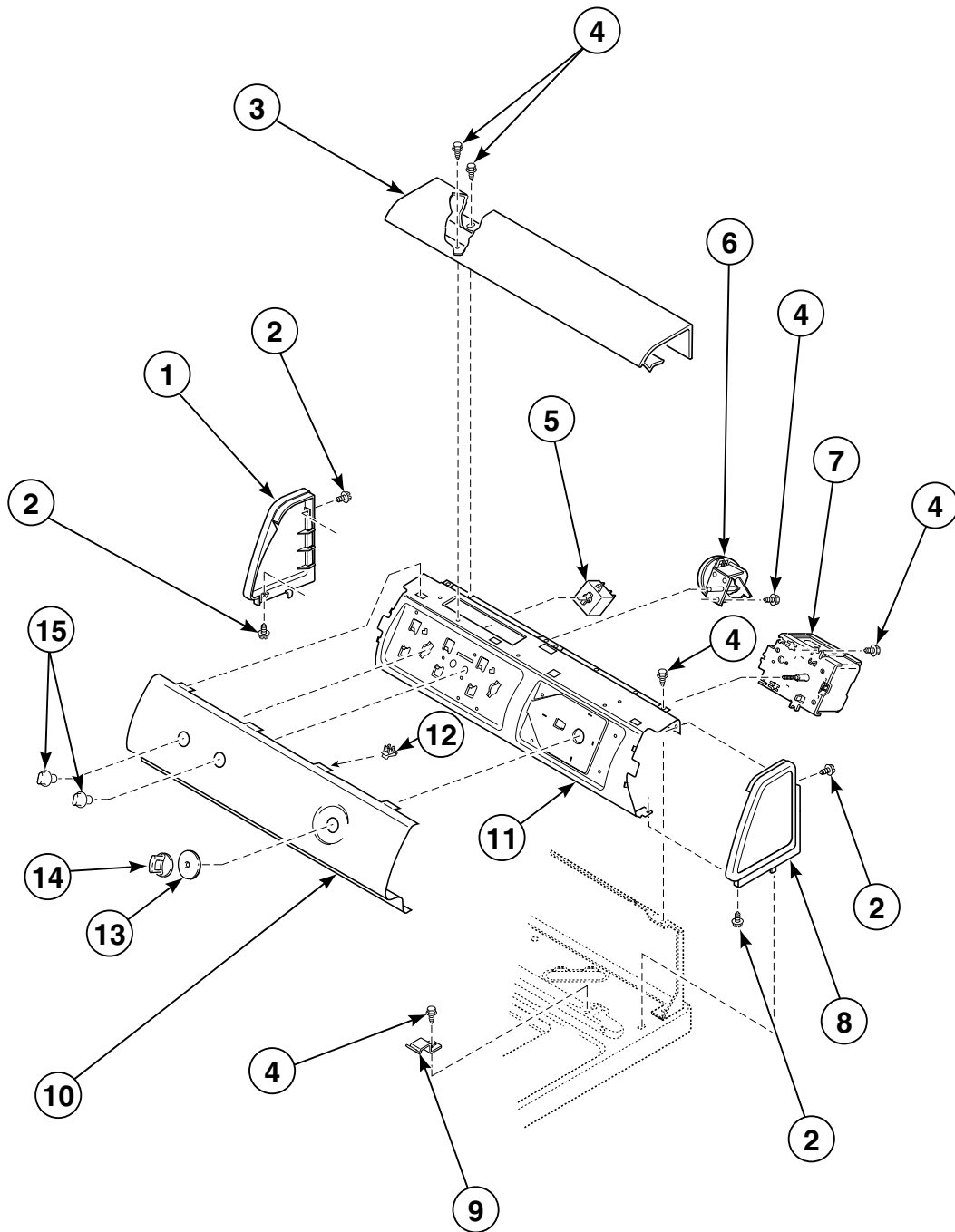
Models LWS16A*, LWS16B*, LWS16M* and LWS16N*

REF	PART #	DESCRIPTION	COMMENTS
1	504009*	End Cap	Left
2	501086	Screw	
3	39905*	Top Cover	
4	23962	Screw	
5	35115	Temperature Switch	3 position
6	39023	Pressure Switch	
7	37929	Timer	
8	504008*	End Cap	Right
9	35358	Hold-Down Clip	
10	38887*	Graphic Panel	
11	38171	Control Mounting Plate	
12	00161	Ground Clip	
13	38841W	Timer Knob Skirt	White; Model LWS16A*
	36700*	Timer Knob Skirt	All other models
14	33898W	Timer Knob	White; Model LWS16A*
	35333*	Timer Knob	All other models
15	33688	Control Knob	White; Model LWS16A*
	36701*	Control Knob	All other models

* Add Letter To Designate Color. L – Almond W – White Q – Bisque

Graphic Panel, Control Mounting Plate and Controls

Models LWS45A*, LWS45B*, LWS45M* and LWS45N*



W320PZ3A

* Add Letter To Designate Color. L – Almond W – White Q – Bisque

Graphic Panel, Control Mounting Plate and Controls

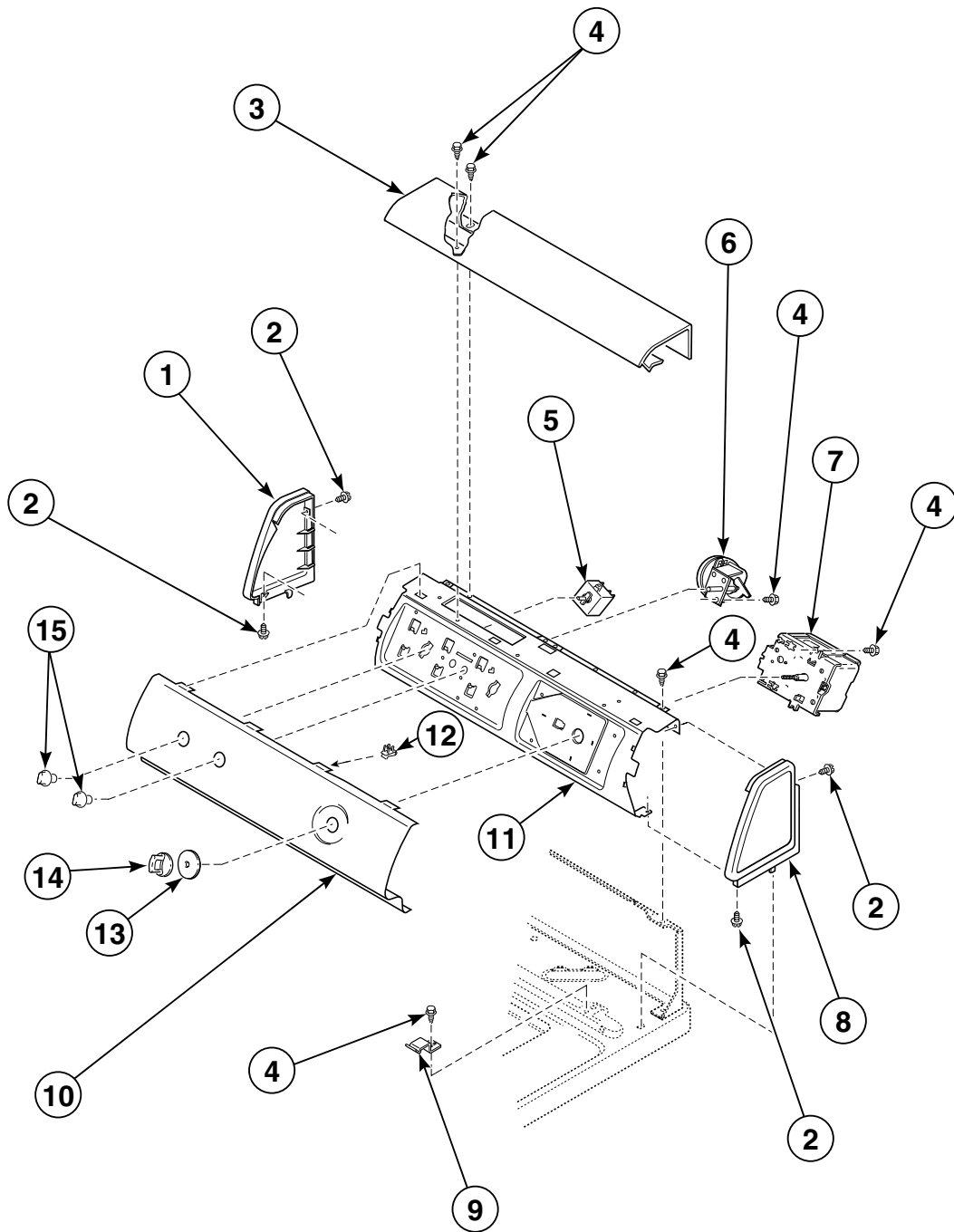
Models LWS45A*, LWS45B*, LWS45M* and LWS45N*

REF	PART #	DESCRIPTION	COMMENTS
1	504009*	End Cap	Left
2	501086	Screw	
3	39905*	Top Cover	
4	23962	Screw	
5	36335	Temperature Switch	4 position
6	39023	Pressure Switch	
7	37927	Timer	
8	504008*	End Cap	Right
9	35358	Hold-Down Clip	
10	39478W	Graphic Panel	
11	38171	Control Mounting Plate	
12	00161	Ground Clip	
13	38841W	Timer Knob Skirt	Model LWS45A*
	36700*	Timer Knob Skirt	All other models
14	33898W	Timer Knob	Models LWS45A*
	35333*	Timer Knob	All other models
15	33688	Control Knob	Models LWS45A*
	36701*	Control Knob	All other models

* Add Letter To Designate Color. L – Almond W – White Q – Bisque

Graphic Panel, Control Mounting Plate and Controls

Models LWS17A*, LWS17M*, LWS17B* and LWS17N*



W320PZ3B

* Add Letter To Designate Color. L – Almond W – White Q – Bisque

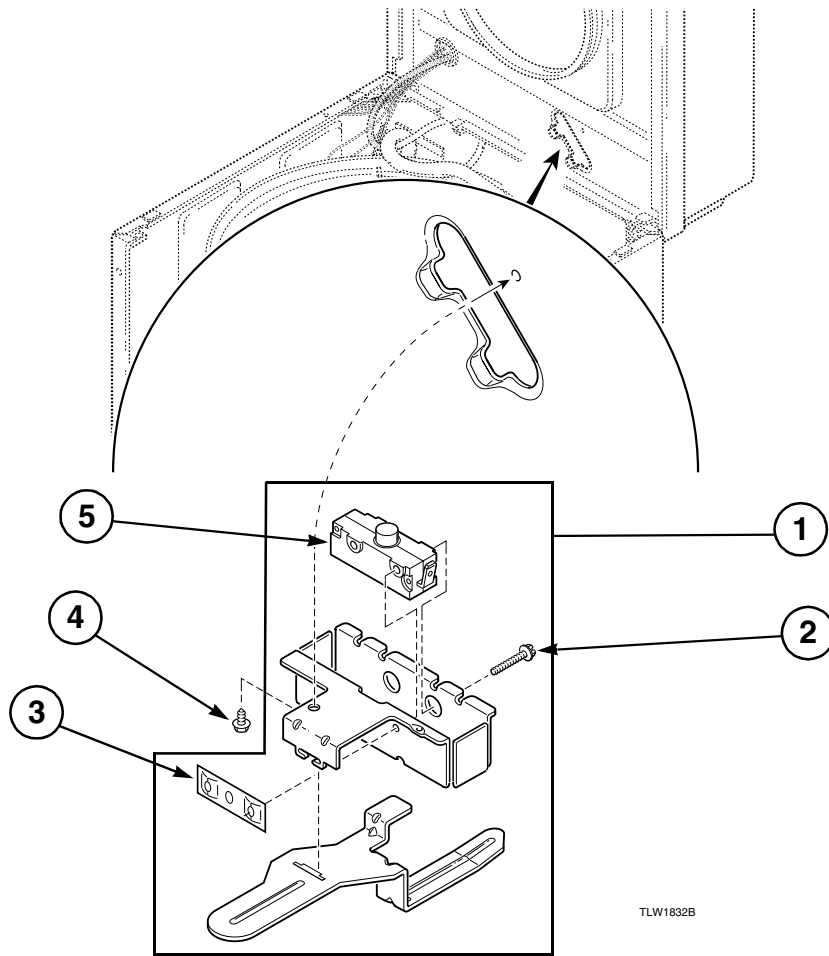
Graphic Panel, Control Mounting Plate and Controls

Models LWS17A*, LWS17M*, LWS17B* and LWS17N*

REF	PART #	DESCRIPTION	COMMENTS
1	504009*	End Cap	Left
2	501086	Screw	
3	39905*	Top Cover	
4	23962	Screw	
5	35115	Temperature Switch	3 position
6	39023	Pressure Switch	
7	200927	Timer	
8	504008*	End Cap	Right
9	35358	Hold-Down Clip	
10	38887*	Graphic Panel	
11	38171	Control Mounting Plate	
12	00161	Ground Clip	
13	38841W	Timer Knob Skirt	White; Model LWS17A*
	36700*	Timer Knob Skirt	All other models
14	33898W	Timer Knob	White; Model LWS17A*
	35333*	Timer Knob	All other models
15	33688	Control Knob	White; Model LWS17A*
	36701*	Control Knob	All other models

* Add Letter To Designate Color. L – Almond W – White Q – Bisque

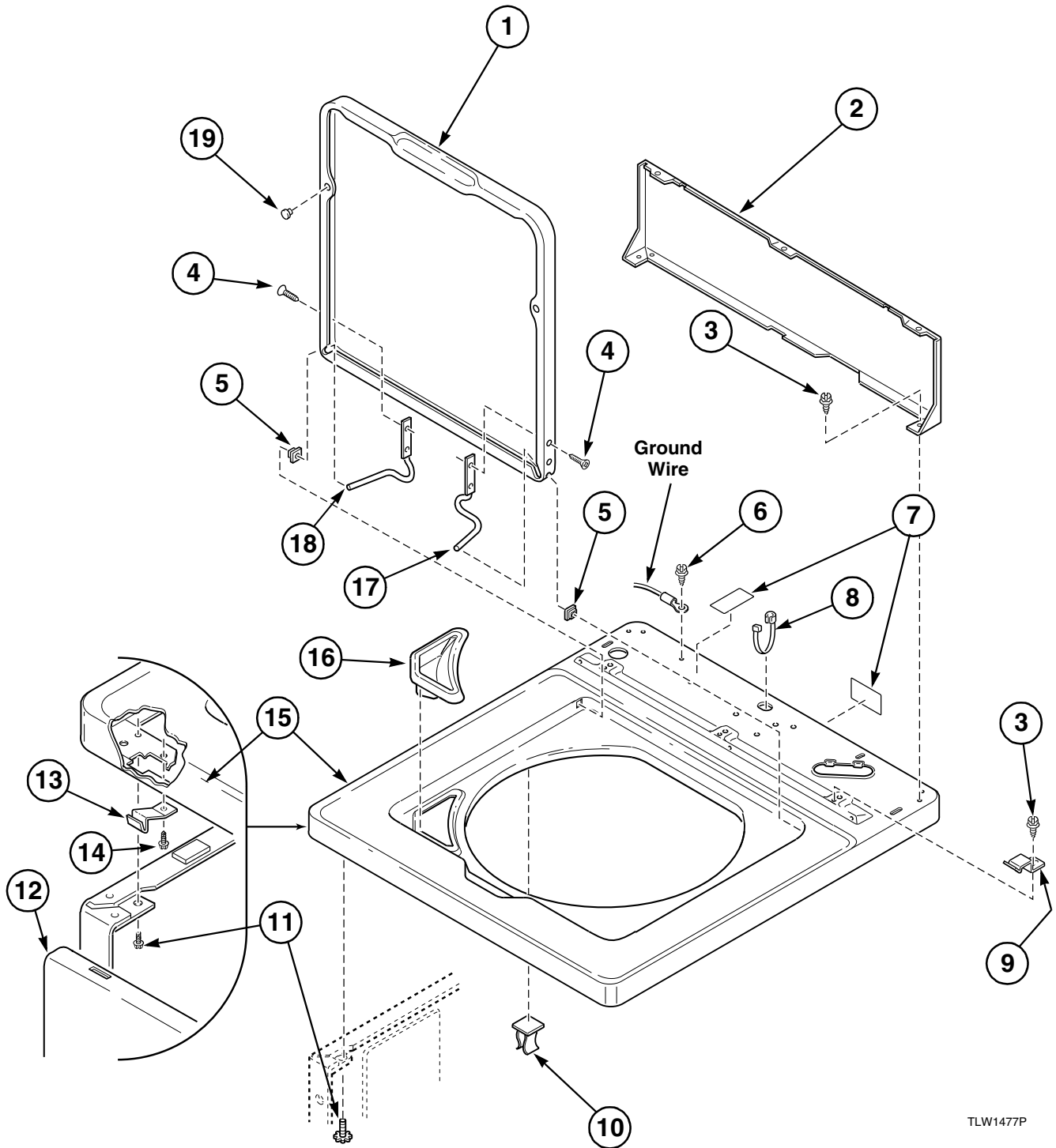
Loading Door Switch Assembly



Loading Door Switch Assembly

REF	PART #	DESCRIPTION	COMMENTS
1	37631	Switch Assembly	
2	M402574	Screw	
3	M400981	Twin Speed Nut	
4	23962	Screw	
5	33445	Switch	

Cabinet Top, Loading Door and Control Hood Rear Panel



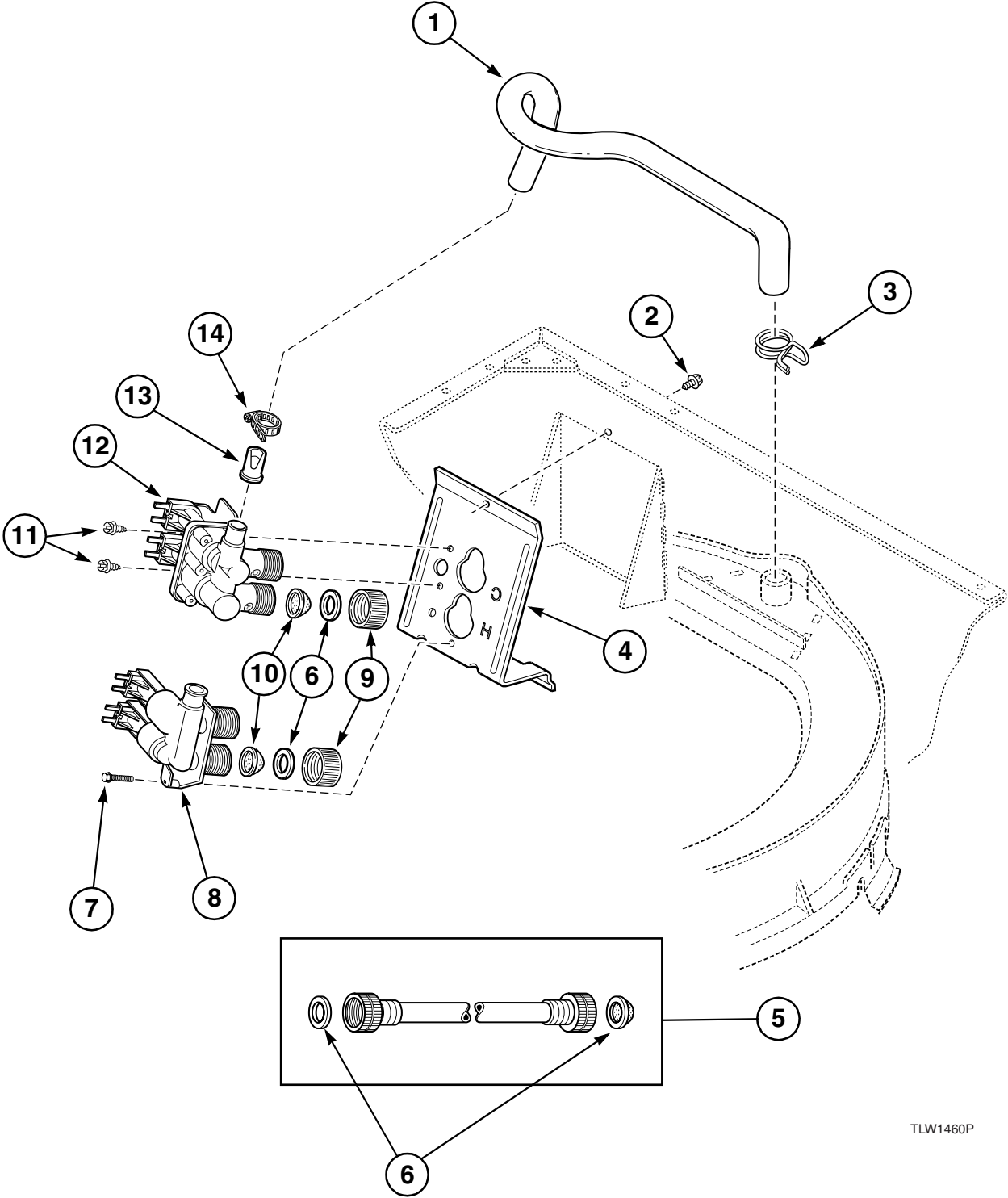
TLW1477P

Cabinet Top, Loading Door and Control Hood Rear Panel

REF	PART #	DESCRIPTION	COMMENTS
1	39937*P	Loading Door	
2	37782	Control Hood Rear Panel	
3	23962	Screw	
4	34337	Screw	
5	33446	Bushing	
6	52909	Screw	
7	39251	Sticker	Model LWS45A*
	500316	Sticker	All other models
8	38384	Strain Relief	
9	35358	Hold-Down Clip	
10	36519	Clip	
11	33562	Screw	
12	38335*P	Front Panel	
13	38271	Clip	
14	501086	Screw	
15	37992*P	Cabinet Top	
16	38382	Bleach Dispenser	
17	36437	Hinge	Right
18	36513	Hinge	Left
19	21685	Bumper	

* Add Letter To Designate Color. L – Almond W – White Q – Bisque

Inlet Hose, Fill Hose, Mixing Valve and Mounting Bracket

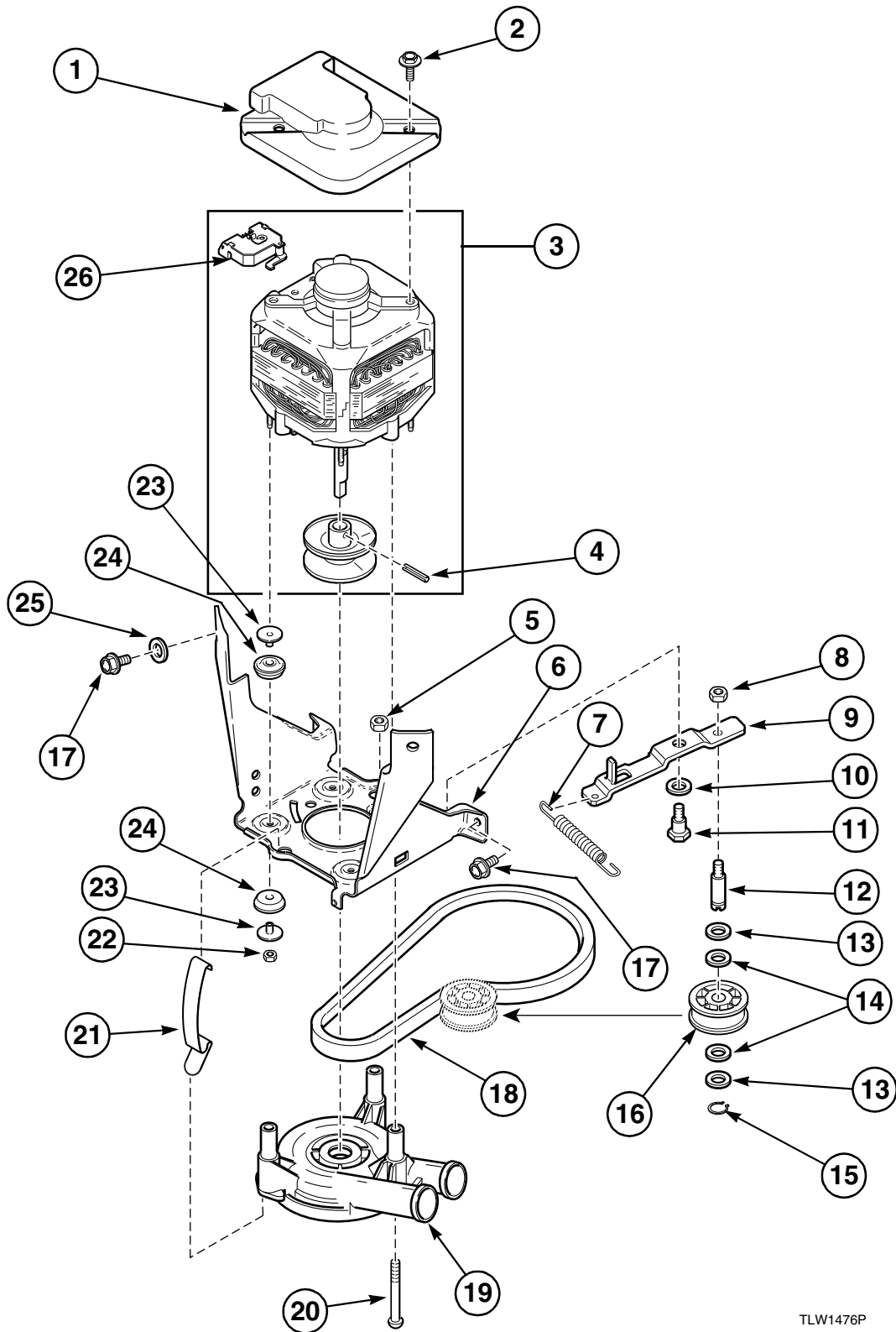


TLW1460P

Inlet Hose, Fill Hose, Mixing Valve and Mounting Bracket

REF	PART #	DESCRIPTION	COMMENTS
1	38155	Filler Hose	
2	33562	Screw	
3	29210	Hose Clamp	
4	39407	Mixing Valve Mounting Bracket	
5	20617	Inlet Hose	8 Foot
	20618	Inlet Hose	10 Foot
	28330P	Inlet Hose	4 Foot; Includes [2] Item 6
6	20290	Rubber Washer	
7	39397	Screw	Use with Item 8
8	39069	Mixing Valve	120 Volt; Starting Serial No. 9809033481
9	24145	Cap	Use to cap off hot water side of mixing valve on certain models
10	F270200	Inlet Screen	
11	501086	Screw	Use with Item 12
12	38495	Mixing Valve	120 Volt; Through Serial No. 9809033480
13	34500	Backflow Preventer	
14	36801	Hose Clamp	

Motor, Mounting Bracket, Belt, Pump and Idler Assembly



TLW1476P

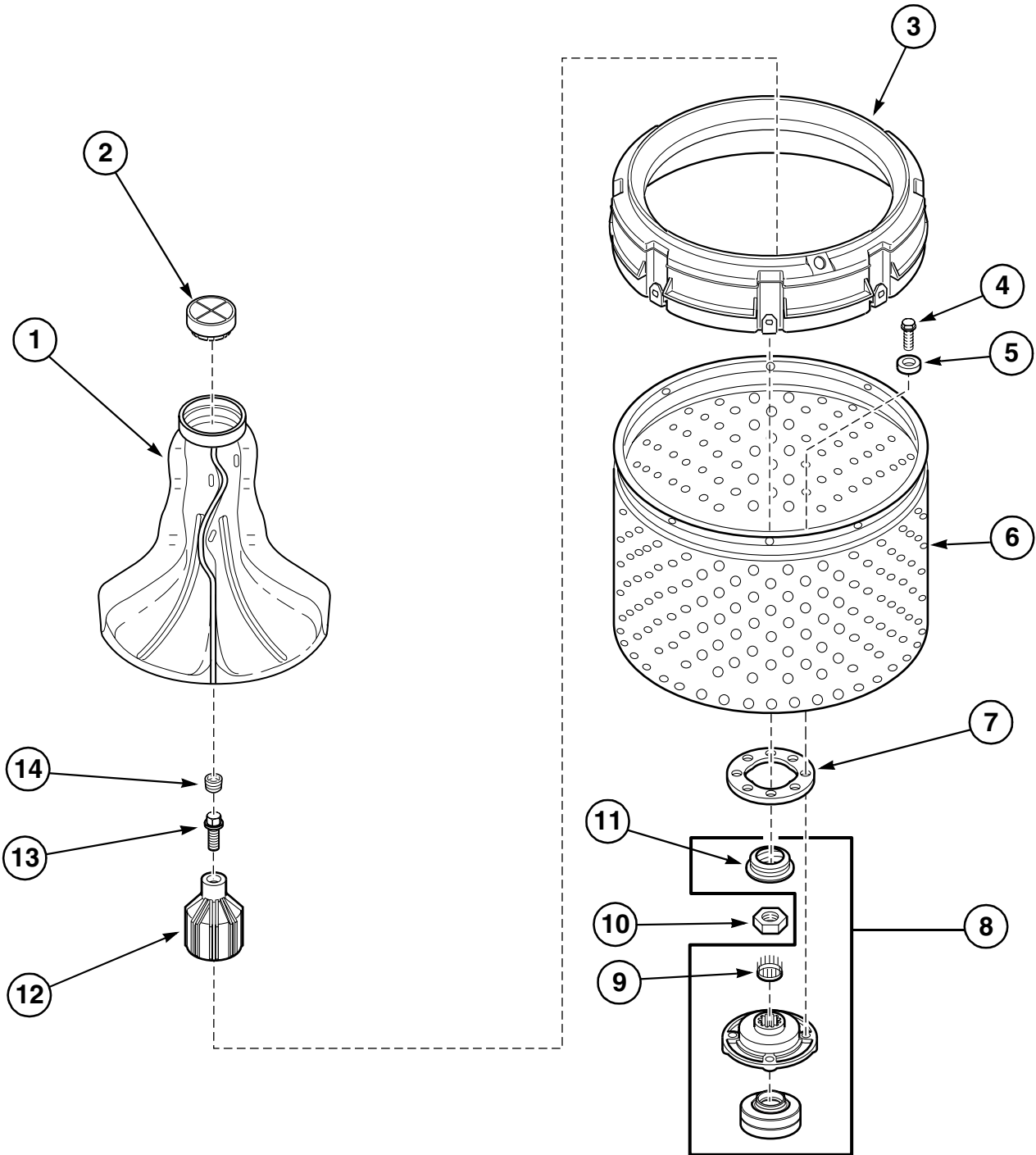
Motor, Mounting Bracket, Belt, Pump and Idler Assembly

REF	PART #	DESCRIPTION	COMMENTS
1	34754	Motor Shield	
2	36639	Screw	
3	37819P	Motor	2 speed; 115 Volt/ 60 Hertz; Models LWS45A*, LWS45B*, LWS45M* and LWS45N*
	38036P	Motor	1 speed; 115 Volt/ 60 Hertz; All other models
4	10416	Roll Pin	Through Serial No. 001113645
5	52566	Locknut	
6	200941	Motor Mount Bracket	
7	39666	Idler Lever Spring	Through Serial No. 0011003353
	200658	Idler Lever Spring	Starting Serial No. 0011003354
8	28803	Locknut	
9	38011	Idler Lever	
10	81392	Washer	
11	27229	Shoulder Bolt	
12	56461	Idler Shaft	Through Serial No. 0107000541
	210186	Idler Shaft	Starting Serial No. 0107000542
13	504082	Washer	Starting Serial No. 0107000542
14	52549	Washer	Nylatron
15	23748	Retainer Ring	
16	38225	Idler Pulley	
17	35369	Screw	
18	37820	Belt	Through Serial No. 0011003353
	38174	Belt	Starting Serial No. 0011003354
19	200937P	Pump Assembly	
20	34565	Screw	Through Serial No. 0204019086
21	210202	Clip	Starting Serial No. 0204019087
22	35423	Nut	
23	38325	Motor Mount Post	
24	38396	Motor Mount	
25	37772	Washer	
26	35632	Motor Switch	

* Add Letter To Designate Color. L – Almond W – White Q – Bisque

Agitator, Drive Bell, Seal Kit, Washtub and Hub

Models LWS01N*, LWS02N* and LWS04N*



TLW1483P

* Add Letter To Designate Color. L – Almond W – White Q – Bisque

Agitator, Drive Bell, Seal Kit, Washtub and Hub

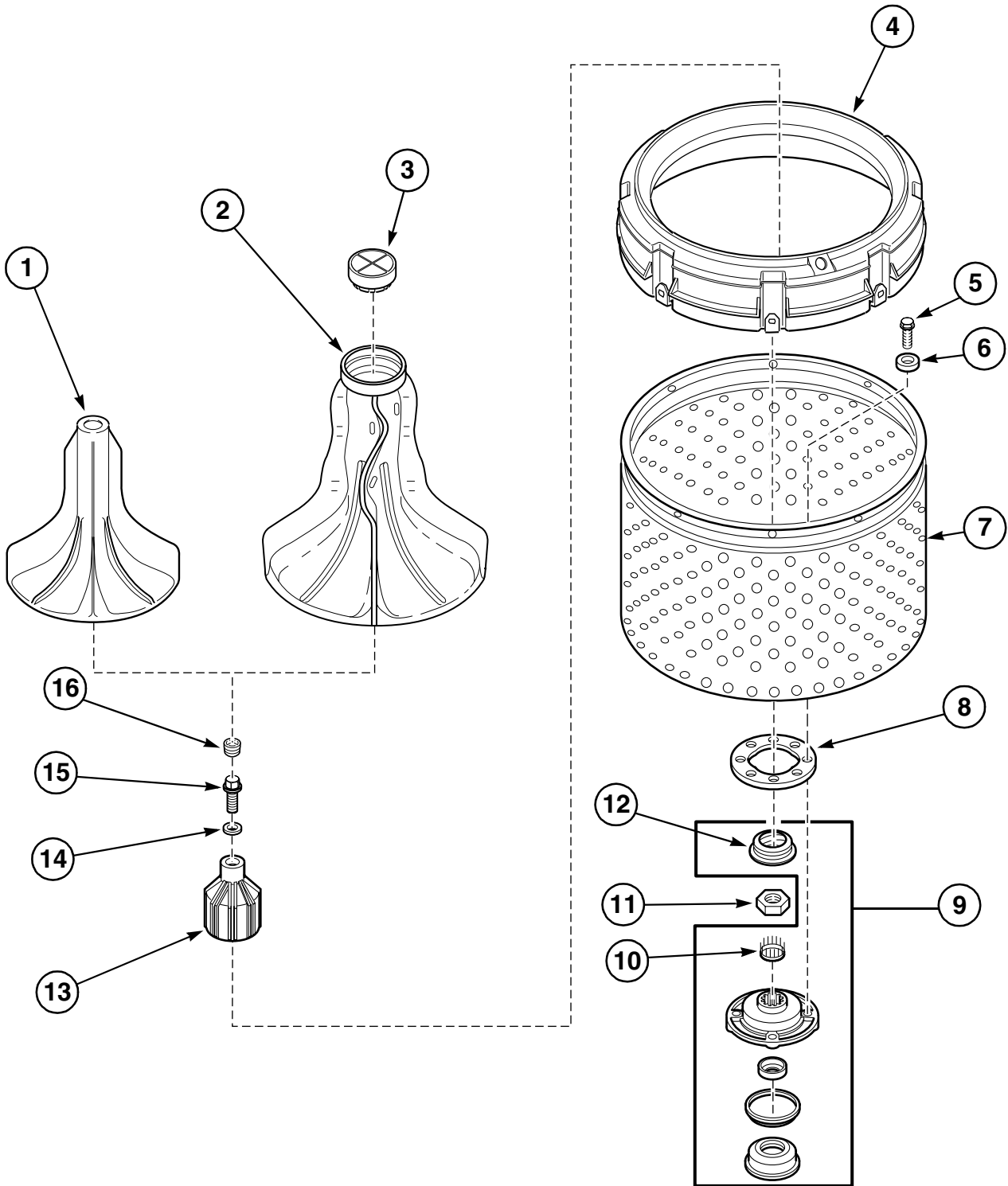
Models LWS01N*, LWS02N* and LWS04N*

REF	PART #	DESCRIPTION	COMMENTS
1	33174	Agitator	Models LWS01N* and LWS02N*
	33513	Agitator	Model LWS04N*
2	36515	Agitator Cap	
3	39837	Balance Ring	
4	27202	Cap Screw	
5	28094	Gasket	Use with porcelain washtub
6	39250P	Washtub	Blue Porcelain; Model LWS02N*
	719P3	Washtub	Stainless steel; Model LWS04N*
	39252P	Washtub	Blue Porcelain; Model LWS01N*
7	39122	Gasket	
8	766P3	Drive Bell, Hub and Seal Kit	Includes installation tool and sealant. DO NOT use any sealant other than sealant supplied in this kit
9	29728	Splined Insert	
10	29220	Locknut	
11	36425	Seal	
12	39508P	Drive Bell and Seal Kit	Includes items 11, 13 and 14
13	39432	Shoulder Screw	
14	36511	Plug	

* Add Letter To Designate Color. L – Almond W – White Q – Bisque

Agitator, Drive Bell, Seal Kit, Washtub and Hub

Models LWS01A*, LWS01A*C, LWS01B*, LWS01M*, LWS02A*, LWS02B*, LWS02M* and LWS04M*



TWL999P

* Add Letter To Designate Color. L – Almond W – White Q – Bisque

Agitator, Drive Bell, Seal Kit, Washtub and Hub

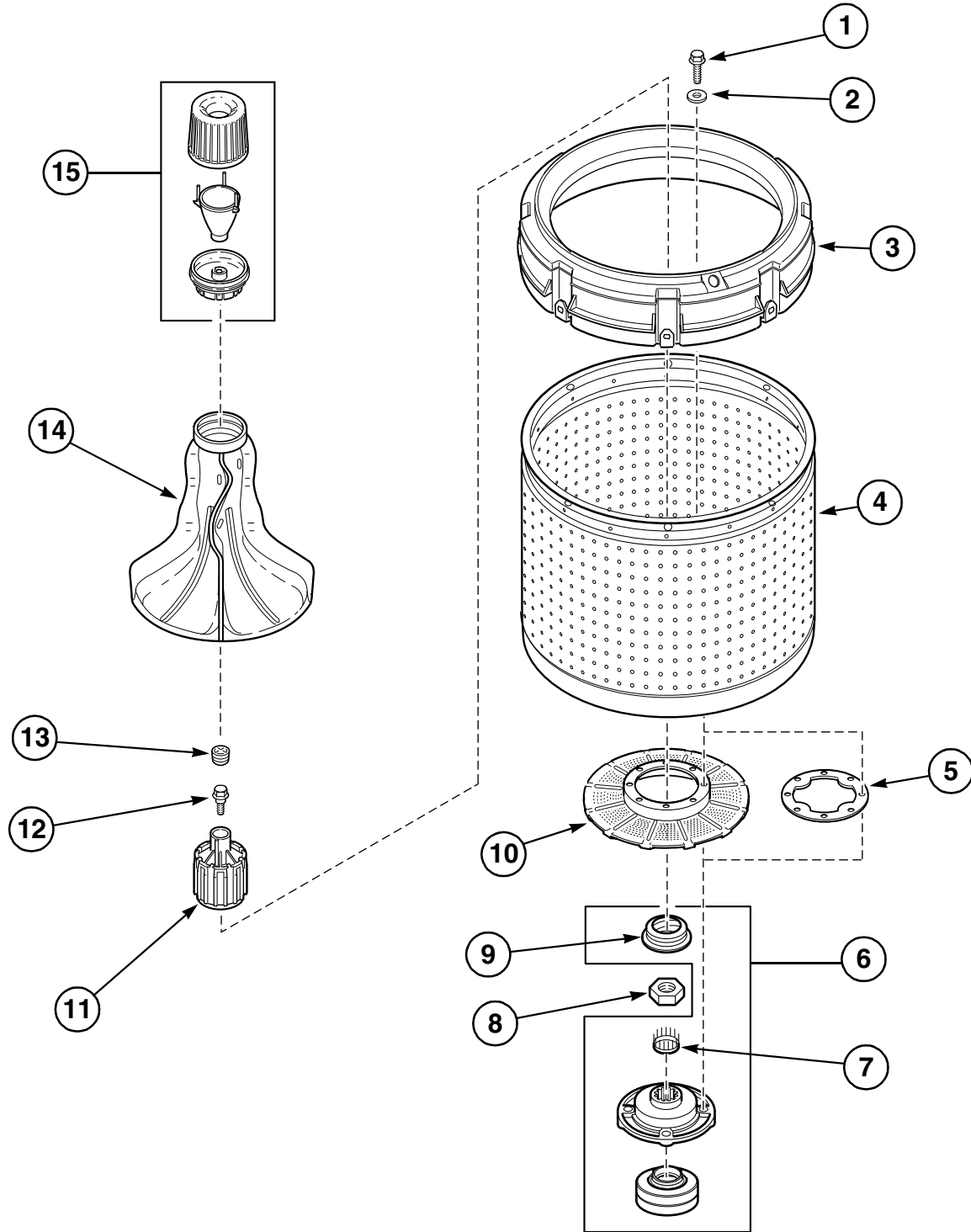
Models LWS01A*, LWS01A*C, LWS01B*, LWS01M*, LWS02A*, LWS02B*, LWS02M* and LWS04M*

REF	PART #	DESCRIPTION	COMMENTS
1	33514	Agitator	Models LWS01A*, LWS01A*C, LWS01B*, LWS02A* and LWS02B*
2	33174	Agitator	Models LWS01M* and LWS02M*
	33513	Agitator	Model LWS04M*
3	36515	Agitator Cap	Use with Item 2
4	39837	Balance Ring	White
5	27202	Cap Screw	
6	28094	Gasket	Use with porcelain washtub
7	39250P	Washtub	Blue Porcelain; Models LWS02A*, LWS02B* and LWS02M*
	719P3	Washtub	Stainless steel; Model LWS04M*
	39252P	Washtub	Blue Porcelain; All other models
8	39122	Gasket	
9	646P3	Hub And Seal Kit	Includes 38359 Tub Cover Gasket and 39508P Drive Bell and Seal Kit
10	29728	Splined Insert	
11	29220	Locknut	
12	36425	Seal	
13	39508P	Drive Bell And Seal Kit	Replaces Number 36443P - Includes Part Numbers 29728, 36425, 39432, 36511 and Drive Bell
14	36472	O-Ring	Use with Number 34288 Shoulder Screw
15	39432	Shoulder Screw	
16	36511	Plug	

* Add Letter To Designate Color. L – Almond W – White Q – Bisque

Agitator, Drive Bell, Seal Kit, Washtub and Hub

Models LWS16N*, LWS17N* and LWS45N*



TLW1466P

* Add Letter To Designate Color. L – Almond W – White Q – Bisque

Agitator, Drive Bell, Seal Kit, Washtub and Hub

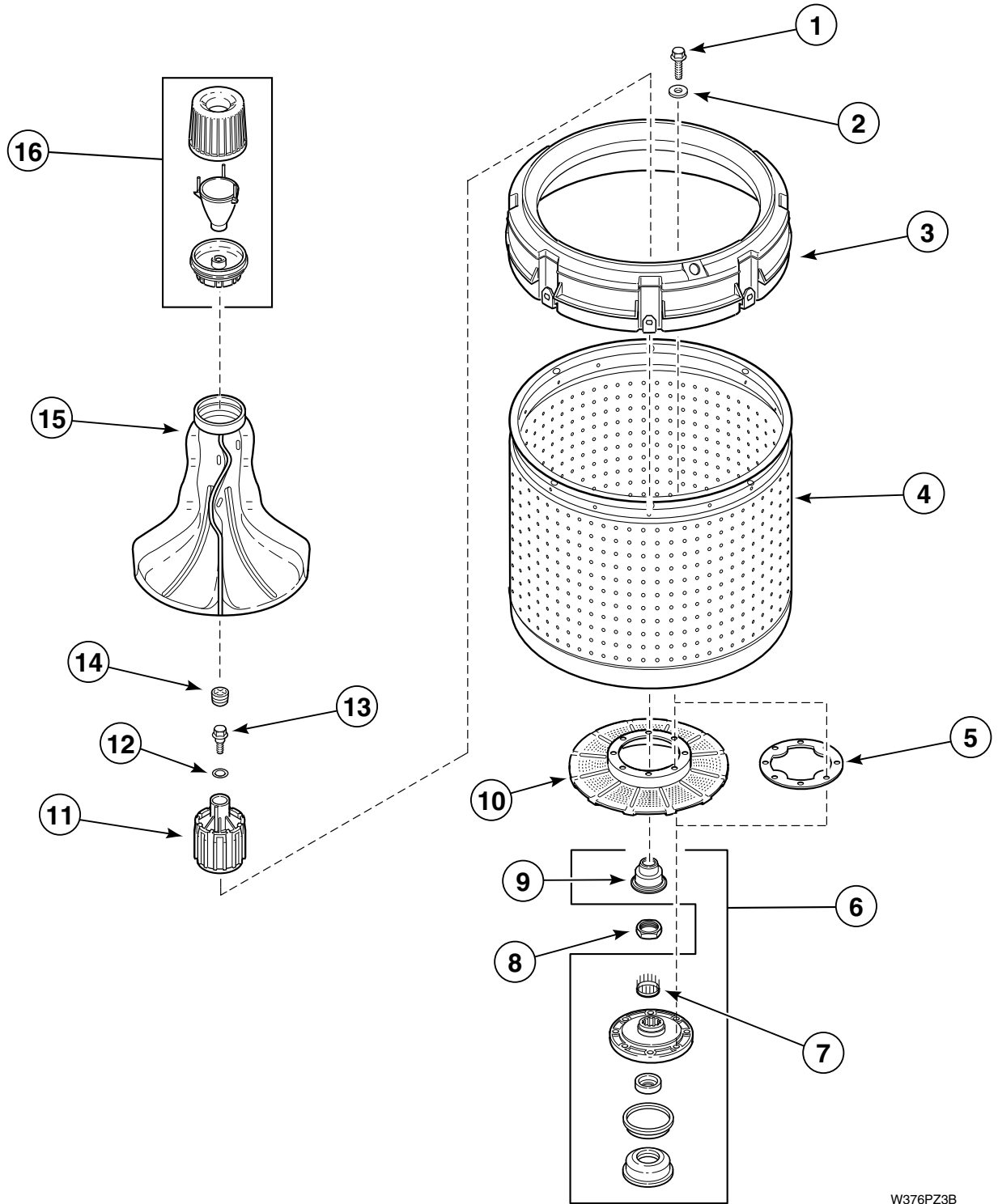
Models LWS16N*, LWS17N* and LWS45N*

REF	PART #	DESCRIPTION	COMMENTS
1	27202	Screw	
2	28094	Gasket	
3	39837	Balance Ring	
4	39240P	Washtub	White Porcelain; Model LWS16N*
	719P3	Washtub	Stainless steel; Models LWS17N* and LWS45N*
5	39122	Gasket	
6	766P3	Drive Bell, Hub and Seal Kit	Includes item 11
7	29728	Splined Insert	
8	29220	Locknut	
9	36425	Seal	
10	39371	Lint Filter	
11	39508P	Drive Bell and Seal Kit	Includes items 9, 12 and 13
12	39432	Shoulder Screw	
13	36511	Plug	
14	33174	Agitator	
15	36542	Fabric Softener Dispenser	

* Add Letter To Designate Color. L – Almond W – White Q – Bisque

Agitator, Drive Bell, Seal Kit, Washtub and Hub

Models LWS16A*, LWS16B*, LWS16M*, LWS17A*, LWS17B*, LWS17M*, LWS45A*, LWS45B* and LWS45M*



W376PZ3B

* Add Letter To Designate Color. L – Almond W – White Q – Bisque

Agitator, Drive Bell, Seal Kit, Washtub and Hub

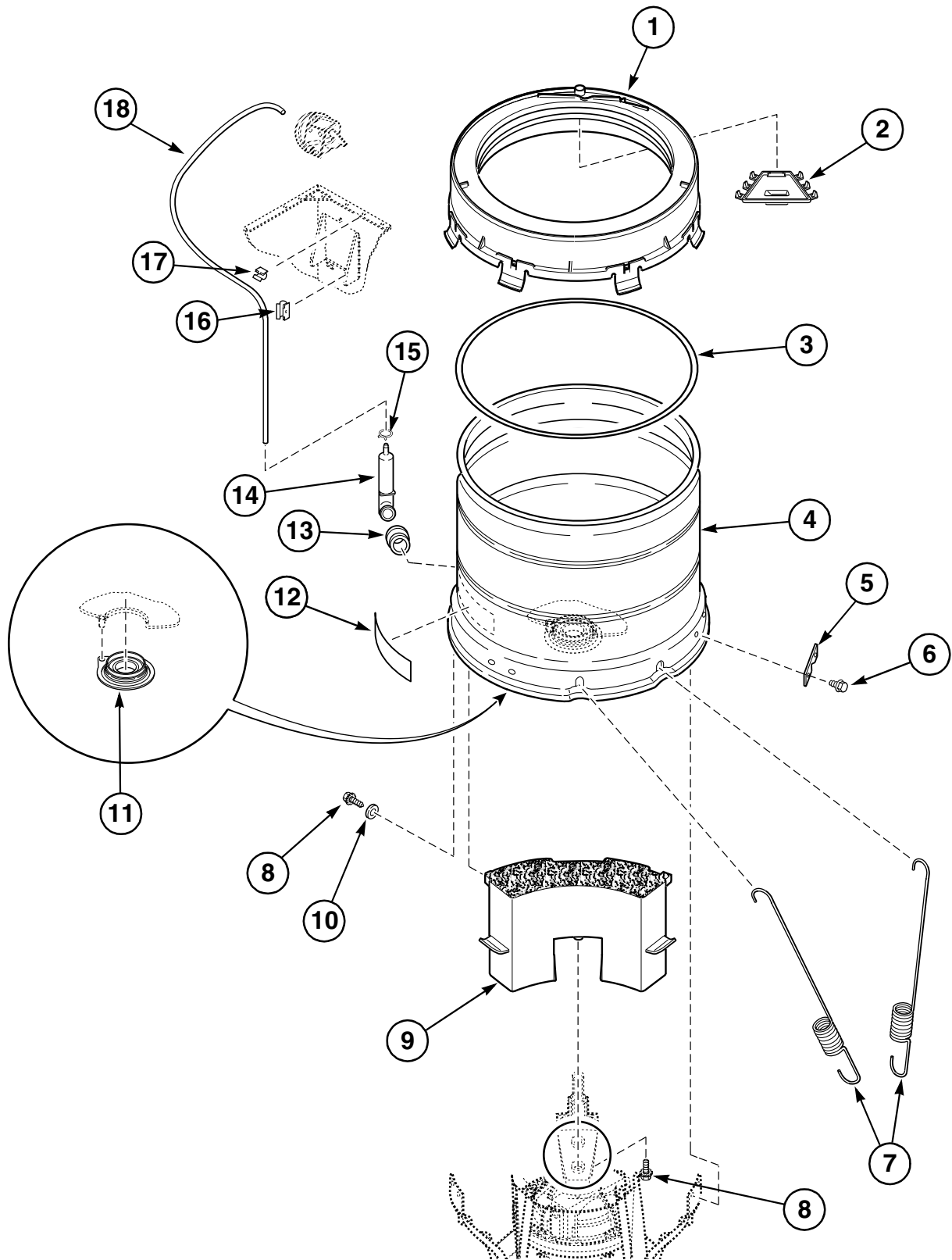
Models LWS16A*, LWS16B*, LWS16M*, LWS17A*, LWS17B*, LWS17M*, LWS45A*, LWS45B* and LWS45M*

REF	PART #	DESCRIPTION	COMMENTS
1	27202	Screw	
2	28094	Gasket	Use with porcelain washtub
3	39837	Balance Ring	
4	39240P	Washtub	White Porcelain; Models LWS16A*, LWS16B* and LWS16M*
	719P3	Washtub	Stainless Steel; All other models
5	39122	Gasket	
6	646P3	Hub And Seal Kit	Includes 38359 Tub Cover Gasket and 39508P Drive Bell and Seal Kit
7	29728	Splined Insert	
8	29220	Locknut	
9	36425	Seal	
10	39371	Lint Filter	
11	39508P	Drive Bell and Seal Kit	Replaces number 36443P; Includes Part Nos. 29728, 36425, 39432, 36511 and Drive Bell
12	36472	O-Ring	Use with number 34288 Shoulder Screw
13	39432	Shoulder Screw	
14	36511	Plug	
15	33174	Agitator	
16	36542	Fabric Softener Dispenser	

* Add Letter To Designate Color. L – Almond W – White Q – Bisque

Outer Tub, Cover, Pressure Hose and Counterweight

Models LWS01N*, LWS02N*, LWS04N*, LWS16N*, LWS17N* and LWS45N*



TLW1464P

Outer Tub, Cover, Pressure Hose and Counterweight

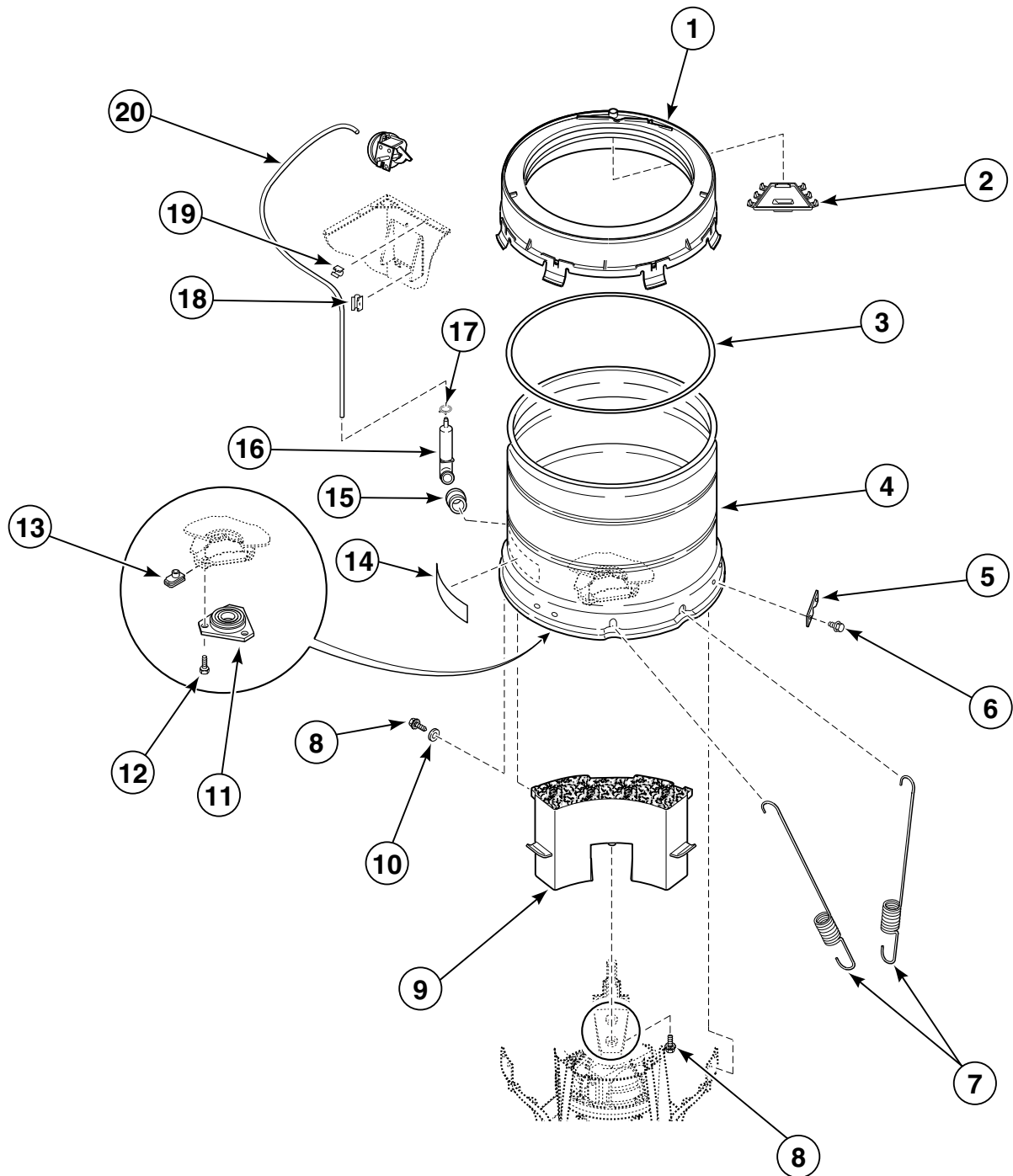
Models LWS01N*, LWS02N*, LWS04N*, LWS16N*, LWS17N* and LWS45N*

REF	PART #	DESCRIPTION	COMMENTS
1	38379	Outer Tub Cover	
2	39079	Water Inlet Channel	
3	38359	Gasket	
4	200510P	Outer Tub	Model LWS01N*
	200511	Outer Tub	All other models
5	27926	Leg Plate	
6	35369	Screw	
7	37576	Module Spring	Model LWS01N*
	37575	Module Spring	All other models
8	39566	Screw	
9	38769	Counterweight	
10	39249	Washer	
11	200512	Bearing Housing Assembly	Included in 766P3 Drive Bell, Hub and Seal Kit
12	500049	Warning Label	
13	29175	Grommet	
14	30907	Pressure Bulb	
15	39282	Hose Clamp	
16	36985	Clip	
17	21036	Clip	
18	39125	Pressure Hose	

* Add Letter To Designate Color. L – Almond W – White Q – Bisque

Outer Tub, Cover, Pressure Hose and Counterweight

All models except LWS01N*, LWS02N*, LWS04N*, LWS16N*, LWS17N* and LWS45N*



W352PZ3A

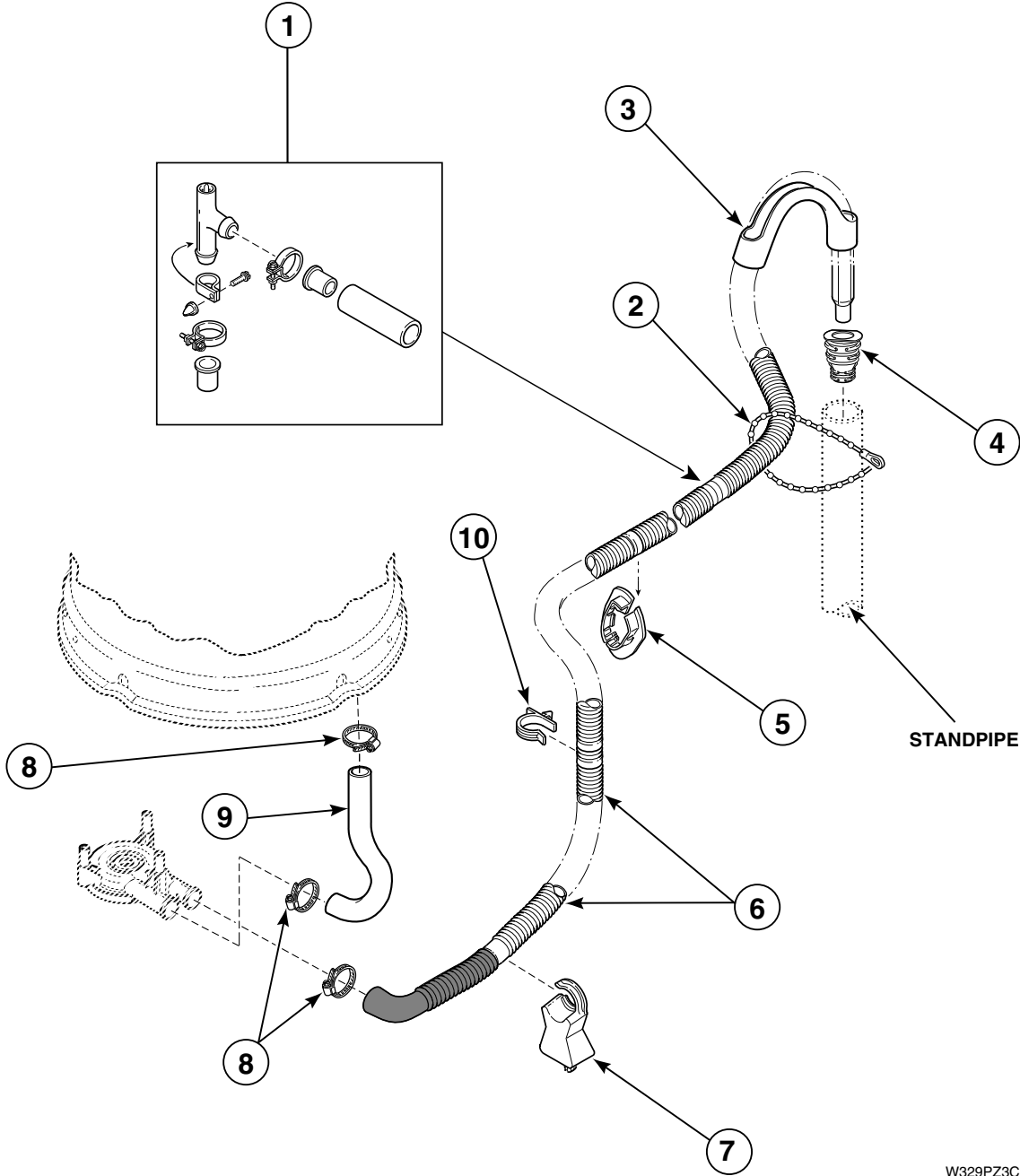
Outer Tub, Cover, Pressure Hose and Counterweight

All models except LWS01N*, LWS02N*, LWS04N*, LWS16N*, LWS17N* and LWS45N*

REF	PART #	DESCRIPTION	COMMENTS
1	38379	Outer Tub Cover	
2	39079	Water Inlet Channel	
3	38359	Gasket	
4	37981P	Outer Tub	Models LWS01A*, LWS01B*, LWS01M* and LWS01A*C
	37813P	Outer Tub	All other models
5	27926	Leg Plate	
6	35369	Screw	
7	37576	Module Spring	Models LWS01A*, LWS01B*, LWS01M* and LWS01A*C
	37575	Module Spring	All other models
8	39566	Screw	
9	38769	Counterweight	
10	39249	Washer	
11	27182	Bearing Housing Assembly	
12	36991	Cap Screw	
13	27222	Retainer Nut	
14	500049	Warning Label	
15	29175	Grommet	
16	30907	Pressure Bulb	
17	39282	Hose Clamp	
18	36985	Clip	
19	21036	Clip	
20	39125	Pressure Hose	

* Add Letter To Designate Color. L – Almond W – White Q – Bisque

Drain Hose and Siphon Break Kit



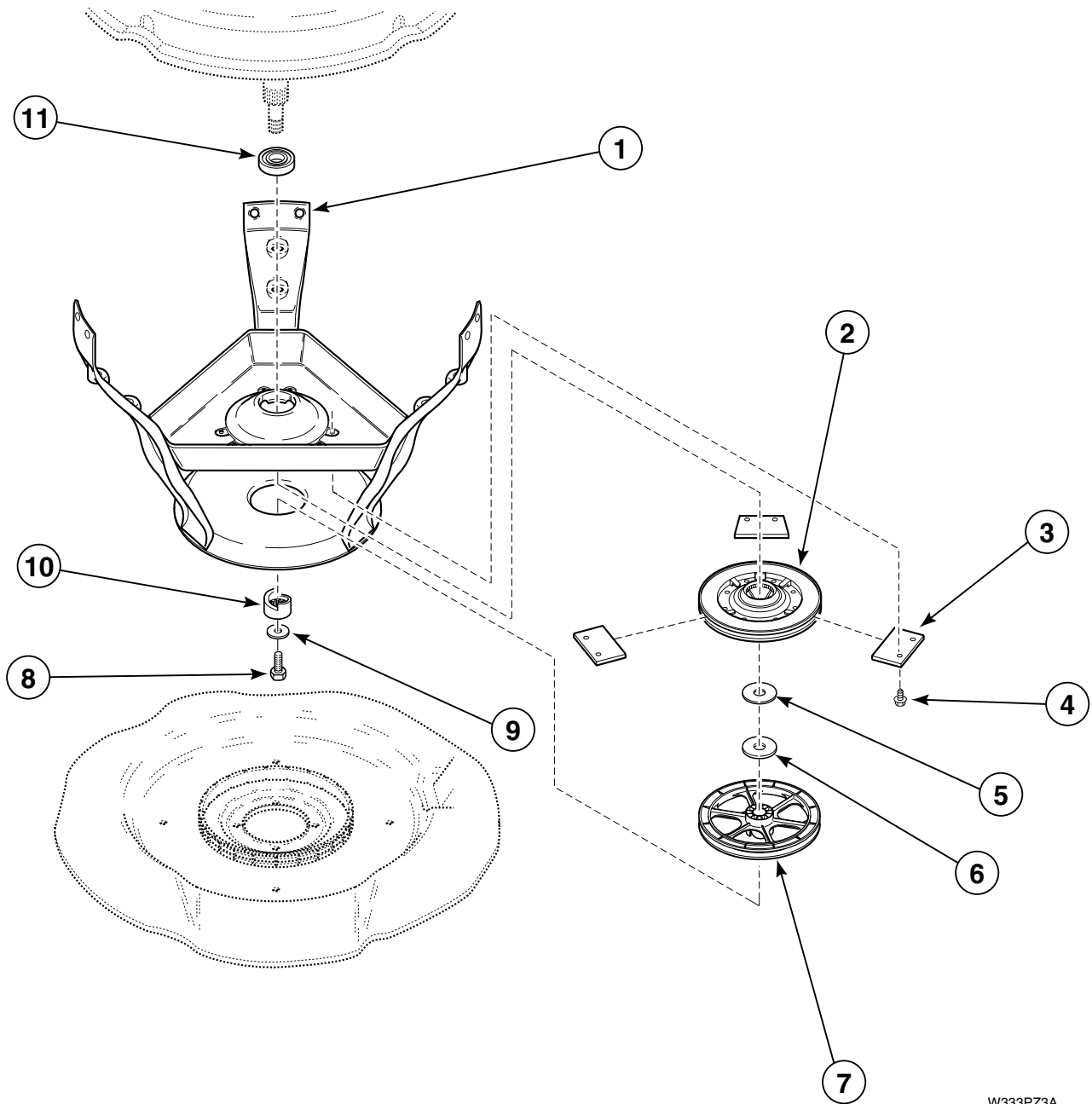
W329PZ3C

Drain Hose and Siphon Break Kit

REF	PART #	DESCRIPTION	COMMENTS
1	562P3	Siphon Break Kit	Siphon break kit MUST be installed in drain hose if drain receptacle is lower than cabinet top of washer
2	33489	Beaded Tie-Down Strap	
3	33615	Drain Hose Sleeve	
4	36878	Standpipe Adapter	Models LWS16A*; LWS16M*, LWS16N*, LWS17A*, LWS17M*, LWS17N*, LWS45M* and LWS45N*
5	32219	Drain Hose Strain Relief	
6	39893	Drain Hose	
7	38732	Hose Support	
8	36802	Hose Clamp	
9	38351	Tub-to-Pump Hose	
10	36014	Hose Retainer Clip	

* Add Letter To Designate Color. L – Almond W – White Q – Bisque

Weldment and Bearing Assembly, Brake and Pulley



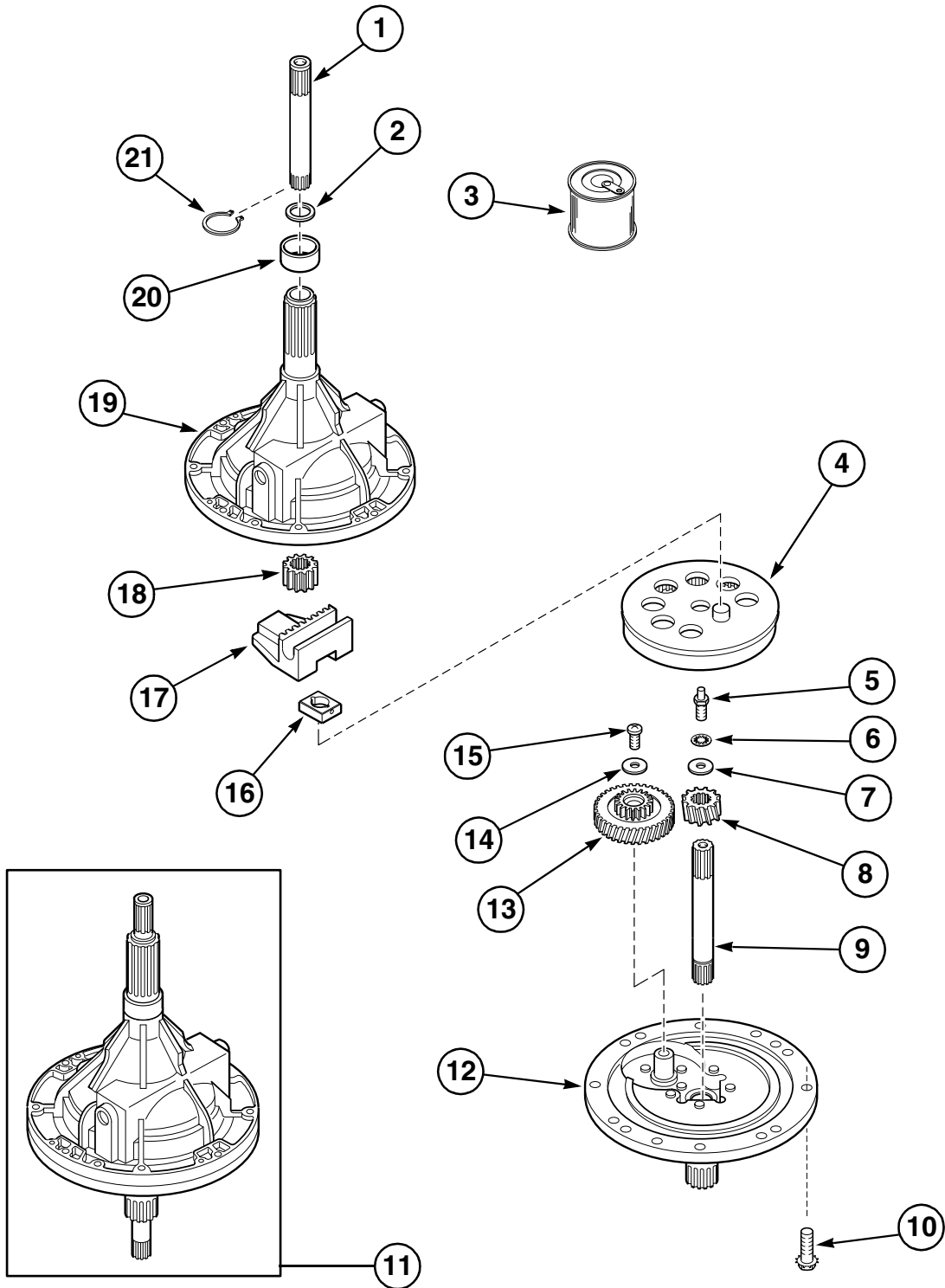
W333PZ3A

Weldment and Bearing Assembly, Brake and Pulley

REF	PART #	DESCRIPTION	COMMENTS
1	39254	Weldment and Bearing Assembly	Models LWS01A*, LWS01A*C, LWS01B*, LWS01M* and LWS01N*
	39253	Weldment and Bearing Assembly	All other models
2	38505P	Brake	
3	735P3	Brake Pad Kit	Includes three pads
4	39739	Screw	
5	35535	Washer	Thin
6	27015	Washer	Thick
7	38007	Pulley Assembly	Models LWS01A*, LWS01A*C, LWS01B*,LWS02A*, LWS02B*, LWS16A*, LWS16B*, LWS17A*, LWS17B*, LWS45A* and LWS45B*
	38143	Pulley Assembly	All other models
8	27220	Screw	
9	26509	Washer	
10	38008	Helix	
11	28944R	Bearing	

* Add Letter To Designate Color. L – Almond W – White Q – Bisque

Transmission Assembly



TLW1467P

Transmission Assembly

REF	PART #	DESCRIPTION	COMMENTS
	27604P	Anti-Seize Compound	Apply to smooth area of both the upper and lower transmission tube that will be contacting the upper and lower bearings and apply to spline area of upper and lower transmission tube that will be contacting the washtub
	37577P	Sealant	Use between transmission case and cover
1	36570	Output Shaft	
2	35092	Washer	
3	27243P	Transmission Oil	1 Fill
4	26577	Internal Gear	
5	27030	Special Screw	
6	21456	Lockwasher	Used through Serial No. 9712011370
7	26509	Washer	
8	37406	Drive Pinion	Use with 38826P Transmission Assembly
	37405	Drive Pinion	Use with 38165P Transmission Assembly
9	38268	Input Shaft	
10	32814	Screw	
11	38165P	Transmission Assembly	710 RPM, High spin; Models with high spin that are identified with the letter "M" or "N" in the 6th character of the model number
	38826P	Transmission Assembly	640 RPM spin; All other models
12	37471	Transmission Cover	
13	37403	Reduction Gear	Use with 38826P Transmission Assembly
	37404	Reduction Gear	Use with 38165P Transmission Assembly
14	29260	Washer	
15	29273	Screw	
16	26493	Slide	
17	31526	Rack	
18	27003	Agitator Pinion	
19	33223	Transmission Case Assembly	
20	200515	Spacer	Models LWS01N*, LWS02N*, LWS04N*, LWS16N*, LWS17N* and LWS45N*; Included in 766P3 Drive Bell Hub and Seal Kit
21	27197	Retainer Ring	

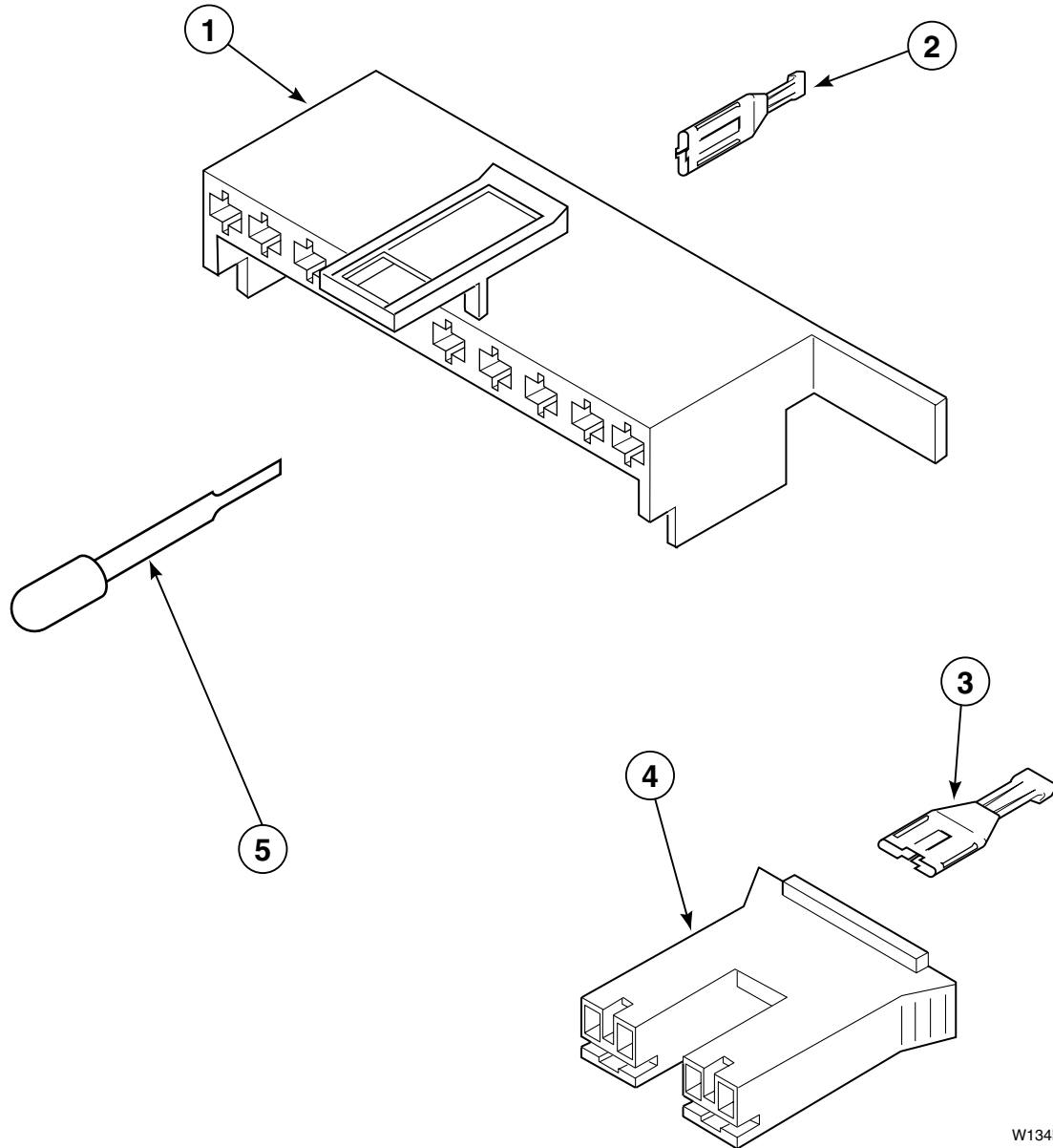
* Add Letter To Designate Color. L – Almond W – White Q – Bisque

Front Panel, Base Assembly and Cabinet Kit

REF	PART #	DESCRIPTION	COMMENTS
1	56128	Bumper Pad	
2	56079	Panel Locator	
3	39733	Screw	
4	36226	Bumper Pad	
5	51780	Screw	
6	52909	Screw	
7	27103	Hinge	
8	38612*P	Cabinet Kit	
9	27196	Screw	
10	34443	Leveling Leg and Stabilizer Bar	
11	35148	Screw	
12	36036	Bracket Right	
13	39788	Base Assembly	
14	34318	Rubber Foot	
15	34319	Leveling Leg	
16	21899	Locknut	
17	37937	Friction Ring	
18	36037	Bracket Left	
19	28102	Panel Locator	
20	38272	Screw	
21	38335*P	Front Panel	
22	35097	Brace	

* Add Letter To Designate Color. L – Almond W – White Q – Bisque

Mixing Valve and Motor Connection Blocks, Terminals and Extractor Tool

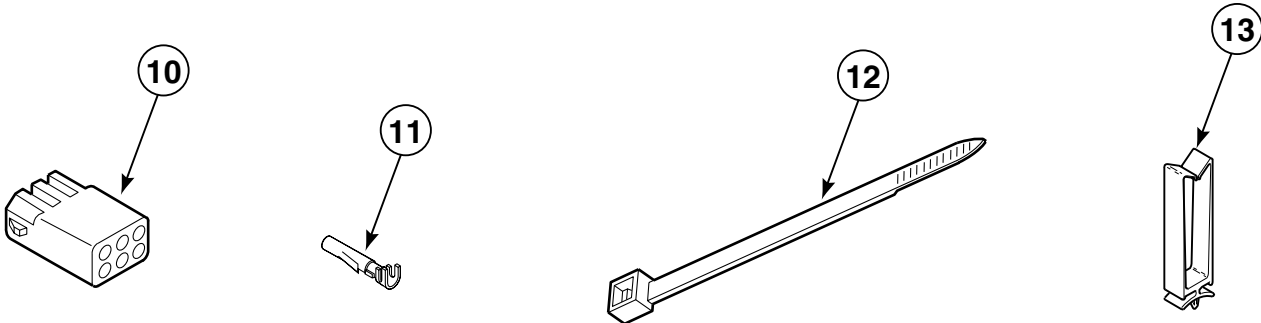
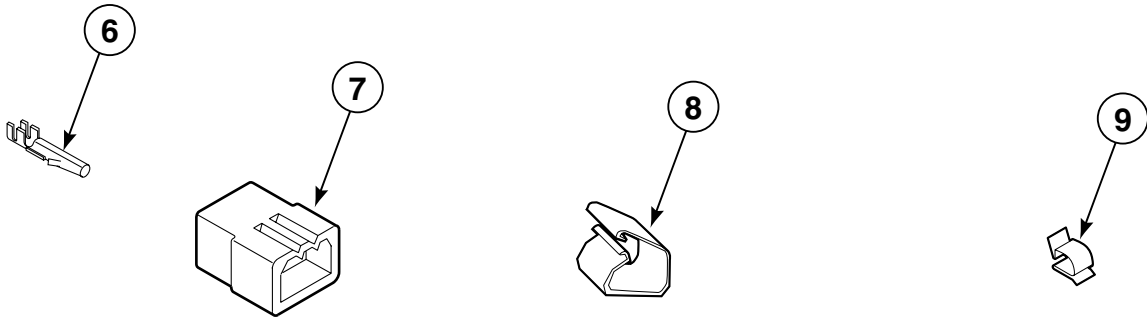
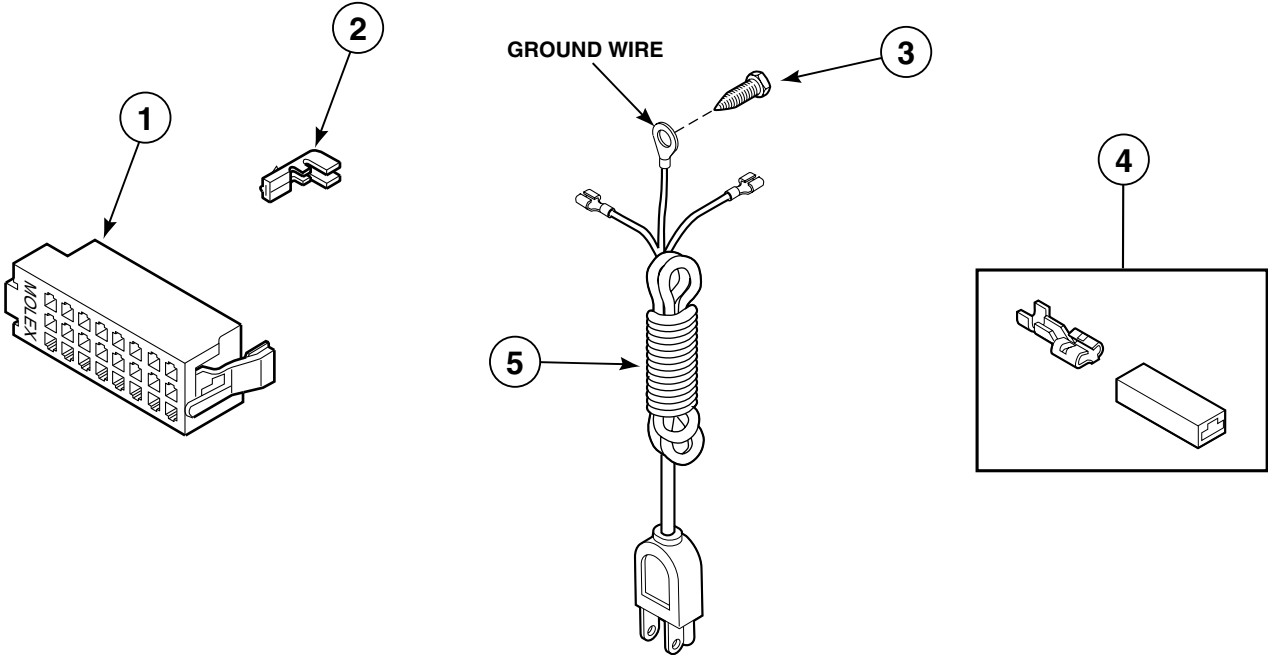


W134PZ3A

Mixing Valve and Motor Connection Blocks, Terminals and Extractor Tool

REF	PART #	DESCRIPTION	COMMENTS
1	34677	Molex Housing	Motor
2	00188	Molex Terminal	For one or two wire application
3	00121	Spade Terminal	1/4 Inch
4	34675	Amp Housing	Mixing valve - Natural
	34676	Amp Housing	Mixing valve - Red
5	283P4	Terminal Extractor Tool	

Power Cord and Terminals

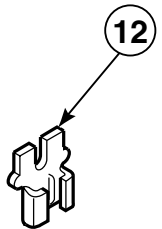
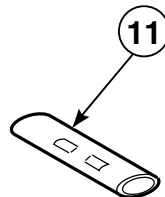
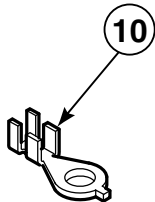
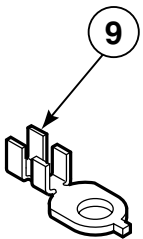
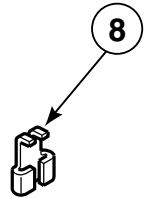
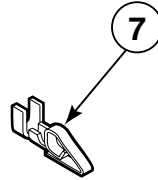
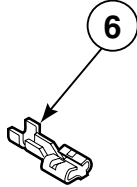
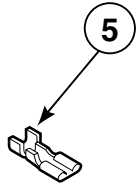
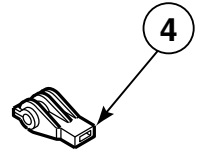
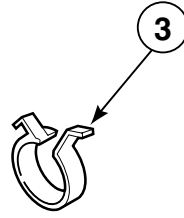
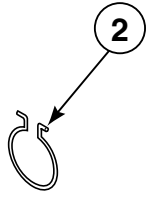
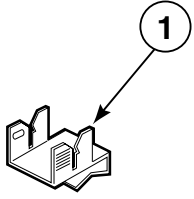


W245PZ3A

Power Cord and Terminals

REF	PART #	DESCRIPTION	COMMENTS
1	32746	Molex Housing	Right hand (Black)
	34123	Molex Housing	Left hand (White)
2	00188	Molex Terminal	Used for one or two wire application
3	52909	Screw	
4	00234	Terminal and Housing Assembly	
5	39406	Power Cord	
6	00116	Terminal	Male
7	23033	Terminal Block Plug	9 Circuit
	23041	Terminal Block Plug	6 Circuit
	26302	Terminal Block Plug	1 Circuit
8	35521	Harness Clip	
9	21036	Cable Clip	
10	26163	Terminal Block Receptacle	9 Circuit
	26301	Terminal Block Receptacle	1 Circuit
	26708	Terminal Block Receptacle	6 Circuit
11	00117	Terminal	Female
12	55881	Wire Tie	
13	36274	Harness Clip	

Terminals

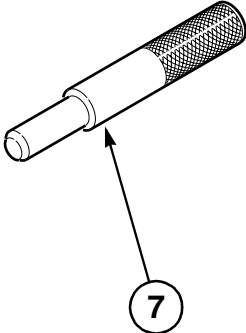
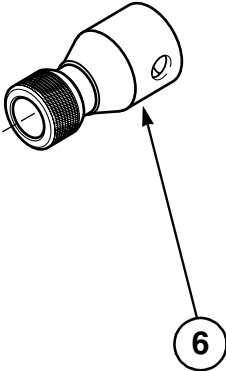
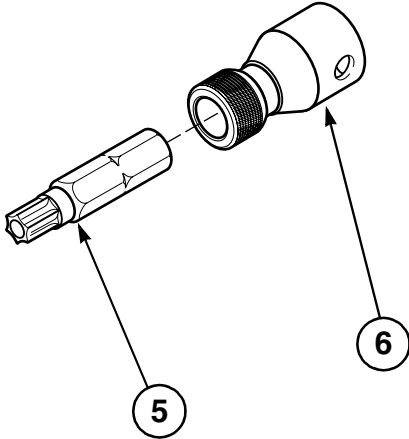
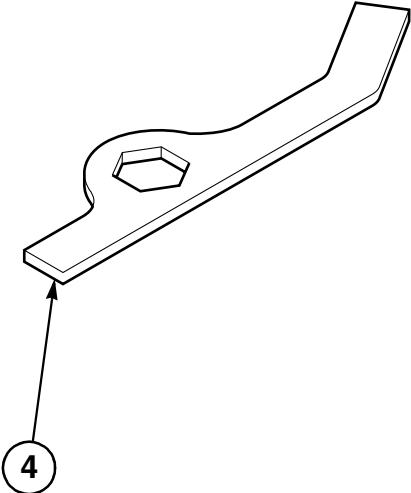
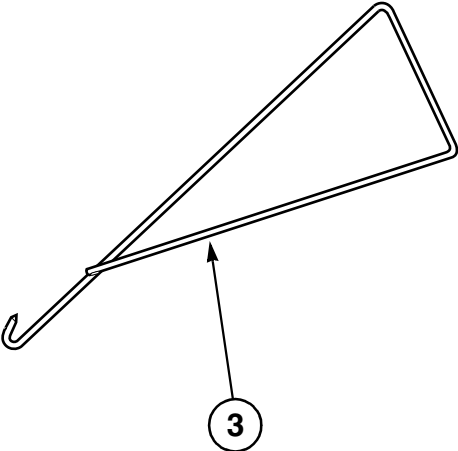
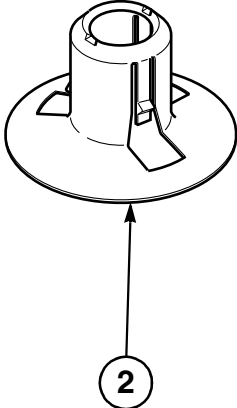
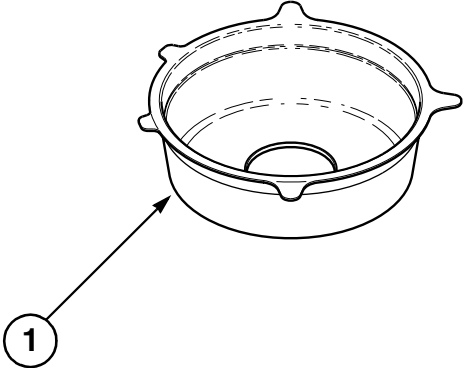


W248PZ3A

Terminals

REF	PART #	DESCRIPTION	COMMENTS
1	00161	Ground Clip	
2	51291	Wire Clip	
3	687500	Wire Clip	
4	70210	Plastic Insulator	
5	00112	Spade Terminal	Small spade
6	00223	Spade Terminal	Large spade
7	00220	Spade Terminal	Female - 1/4 inch
8	00120	Right Angle	Flag terminal
9	00113	Eyelet Terminal	1/4 inch ring
10	00110	Eyelet Terminal	Small shank
11	21091	Connector	Two 1/4 inch male spades
12	29673	Double Connector	

Special Tools



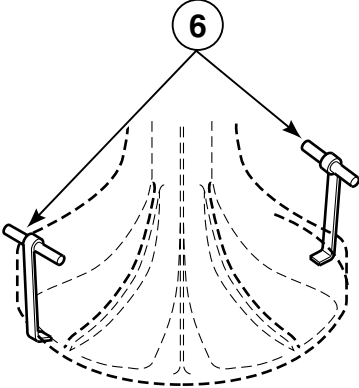
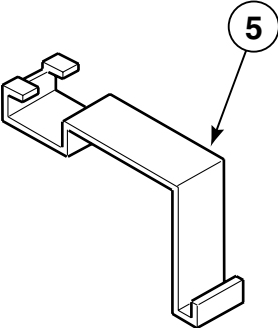
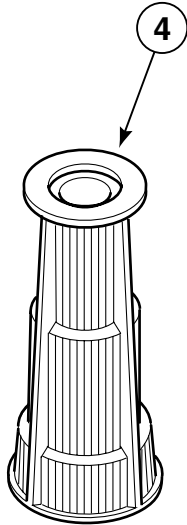
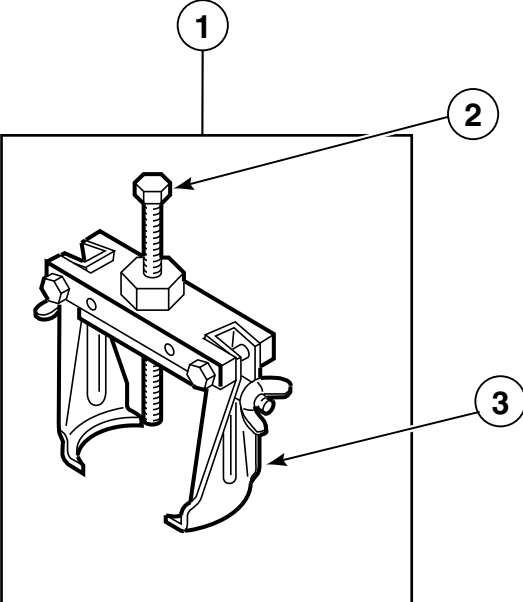
TLW1000P

* Add Letter To Designate Color. L – Almond W – White Q – Bisque

Special Tools

REF	PART #	DESCRIPTION	COMMENTS
1	200553	Washer Shipping Brace	Install whenever moving washer. Remove before use.
2	38149	Shipping Plug	Install before moving washer to prevent tub from damaging cabinet.
3	321P4	Spring Hook	For removal of module springs from outer tub.
4	306P4	Hex Wrench	For removal of locknut from washtub hub.
5	282P4	T25 Tamper Resistant Bit	For removal and installation of pump attaching screws.
6	24161	Torx Bit Holder	3/8 inch drive
7	305P4	Transmission Pin Tool	(2 - required) Use pin tools in place of dowel pins when reassembling transmission cover and case.

Special Tools



W310PZ3C

Special Tools

REF	PART #	DESCRIPTION	COMMENTS
1	294P4	Bell Tool	For removal and installation of Drive Bell to Transmission Shaft.
2	294P4B	Drive Bell Bolt	Use to update 294P4 Bell Tool
3	294P4A	Drive Bell Arms	Use to update 294P4 Bell Tool
4	293P4	Seal Tool	For installation of 36425 Seal.
5	273P4	Outer Tub Cover and Gasket Tool	Use to install 38359 Gasket in outer tub cover
6	254P4P	Agitator Hooks	Set of 2 - Use to remove agitator from drive bell

Wire Harnesses

Individual wires are not available separately. Order complete wire harness, or order wire by the foot. See chart on next page.

Model Number	Base Harness	Hood Harness
LWS01A*, LWS01B*, LWS01M* and LWS01N*	38772	38657
LWS01A*C	38772	38657
LWS02A*, LWS02B*, LWS02M*, LWS02N*, LWS04M* and LWS04N*	38772	38657
LWS16A*, LWS16B*, LWS16M* and LWS16N*	38772	38657
LWS17A*, LWS17B*, LWS17M* and LWS17N*	38772	38657
LWS45A*, LWS45B*, LWS45M* and LWS45N*	38660	39499

* Add Letter To Designate Color. L – Almond W – White Q – Bisque

Wires

Order the individual wire color and gauge by the part number listed below. Order wire by the foot and terminals and connectors as required. It is recommended when applying terminals to wires that the terminals be soldered to the wires.

IMPORTANT: Always replace wires with proper gauge.

Part Number	Wire Gauge	Wire Color
45001	18 Gauge Wire	Black
45380	12 Gauge Wire	Orange

* Add Letter To Designate Color. L – Almond W – White Q – Bisque

Parts Index

A

Agitator	
33174	21, 23, 25, 27
33513	21, 23
33514	23
Agitator Cap	
36515	21, 23
Agitator Hooks	
254P4P	49
Agitator Pinion	
27003	37
Amp Housing	
34675	41
34676	41
Anti-Seize Compound	
27604P	37

B

Backflow Preventer	
34500	17
Balance Ring	
39837	21, 23, 25, 27
Base Assembly	
39788	39
Base Harness	
38660	50
38772	50
Beaded Tie-Down Strap	
33489	33
Bearing	
28944R	35
Bearing Housing Assembly	
200512	29
27182	31
Bell Tool	
294P4	49
Belt	
37820	19
38174	19
Bleach Dispenser	
38382	15
Brace	
35097	39
Bracket Left	
36037	39
Bracket Right	
36036	39
Brake	
38505P	35
Brake Pad Kit	
735P3	35
Bumper	
21685	15
Bumper Pad	
36226	39
56128	39

Bushing	
33446	15

C

Cabinet Kit	
38612*P	39
Cabinet Top	
37992*P	15
Cable Clip	
21036	43
Cap	
24145	17
Cap Screw	
27202	21, 23
36991	31
Clip	
210202	19
21036	29, 31
36519	15
36985	29, 31
38271	15
Connector	
21091	45
Control Hood Rear Panel	
37782	15
Control Knob	
33688	5, 7, 9, 11
36701*	5, 7, 9
Control Mounting Plate	
38171	5, 7, 9, 11
Counterweight	
38769	29, 31

D

Double Connector	
29673	45
Drain Hose	
39893	33
Drain Hose Sleeve	
33615	33
Drain Hose Strain Relief	
32219	33
Drive Bell And Seal Kit	
39508P	23, 25
Drive Bell and Seal Kit	
39508P	21, 27
Drive Bell Arms	
294P4A	49
Drive Bell Bolt	
294P4B	49
Drive Bell, Hub and Seal Kit	
766P3	21, 25
Drive Pinion	
37405	37
37406	37

E

18 Gauge Wire	
45001	50
End Cap	
504008*	5, 7, 11
504009*	5, 11
End Cap Left	
504009*	7, 9
End Cap Right	
504008*	9
Eyelet Terminal	
00110	45
00113	45

F

Fabric Softener Dispenser	
36542	25, 27
Filler Hose	
38155	17
Friction Ring	
37937	39
Front Panel	
38335*P	15, 39

G

Gasket	
28094	21, 23, 25, 27
38359	29, 31
39122	21, 23, 25, 27
Graphic Panel	
200954*	5
38887*	5, 7, 11
39478*	9
Grommet	
29175	29, 31
Ground Clip	
.....	45
00161	5, 7, 9, 11

H

Harness Clip	
35521	43
36274	43
Helix	
38008	35
Hex Wrench	
306P4	47
Hinge	
27103	39
36437	15
36513	15
Hold-Down Clip	
35358	5, 7, 9, 11, 15
Hood Harness	
38657	50
39499	50

Hose Clamp	
29210	17
36801	17
36802	33
39282	29, 31
Hose Retainer Clip	
36014	33
Hose Support	
38732	33
Hub And Seal Kit	
646P3	23, 27

I

Idler Lever	
38011	19
Idler Lever Spring	
200658	19
39666	19
Idler Pulley	
38225	19
Idler Shaft	
210186	19
56461	19
Inlet Hose	
20617	17
20618	17
28330P	17
Inlet Screen	
F270200	17
Input Shaft	
38268	37
Internal Gear	
26577	37

L

Lead-in Cord	
39406	43
Leg Plate	
27926	29, 31
Leveling Leg	
34319	39
Leveling Leg and Stabilizer Bar	
34443	39
Lint Filter	
39371	25, 27
Loading Door	
39937*P	15
Locknut	
21899	39
28803	19
29220	21, 23, 25, 27
52566	19
Lockwasher	
21456	37

M

Mixing Valve	
38495	17
39069	17
Mixing Valve Mounting Bracket	
39407	17
Module Spring	
37575	29, 31
37576	29, 31
Molex Housing	
32746	43
34123	43
34677	41
Molex Terminal	
00188	41, 43
Motor	
37819P	19
38036P	19
Motor Mount	
38396	19
Motor Mount Bracket	
200941	19
Motor Mount Post	
38325	19
Motor Shield	
34754	19
Motor Switch	
35632	19

N

Nut	
35423	19

O

O-Ring	
36472	23, 27
Outer Tub	
200510P	29
200511	29
37813P	31
37981P	31
Outer Tub Cover	
38379	29, 31
Outer Tub Cover and Gasket Tool	
273P4	49
Output Shaft	
36570	37

P

Panel Locator	
28102	39
56079	39
Plastic Insulator	
70210	45
Plug	
36511	21, 23, 25, 27

Pressure Bulb	
30907	29, 31
Pressure Hose	
39125	29, 31
Pressure Switch	
39023	5, 7, 9, 11
39035	5
Pulley Assembly	
38007	35
38143	35
Pump Assembly	
200937P	19

R

Rack	
31526	37
Reduction Gear	
37403	37
37404	37
Retainer Nut	
27222	31
Retainer Ring	
23748	19
27197	37
Right Angle	
00120	45
Roll Pin	
10416	19
Rubber Foot	
34318	39
Rubber Washer	
20290	17

S

Screw	
M402574	13
23962	5, 7, 9, 11, 13, 15
27196	39
27202	25, 27
27220	35
29273	37
32814	37
33562	15, 17
34337	15
34565	19
35148	39
35369	19, 29, 31
36639	19
38272	39
39397	17
39566	29, 31
39733	39
39739	35
501086	5, 7, 9, 11, 15, 17
51780	39
52909	15, 39, 43
Seal	
36425	21, 23, 25, 27
Seal Tool	
293P4	49
Sealant	
37577P	37

Shipping Plug 38149	47
Shoulder Bolt 27229	19
Shoulder Screw 39432	21, 23, 25, 27
Siphon Break Kit 562P3	33
Slide 26493	37
Spacer 200515	37
Spade Terminal 00112	45
00121	41
00220	45
00223	45
Special Screw 27030	37
Splined Insert 29728	21, 23, 25, 27
Spring Hook 321P4	47
Standpipe Adapter 36878	33
Sticker 39251	15
500316	15
Strain Relief 38384	15
Switch 33445	13
Switch Assembly 37631	13

T

Temperature Switch 35115	5, 7, 11
36335	9
Terminal 00116	43
00117	43
Terminal and Housing Assembly 00234	43
Terminal Block Plug 23033	43
23041	43
26302	43
Terminal Block Receptacle 26163	43
26301	43
26708	43
Terminal Extractor Tool 283P4	41
Timer 200927	5, 11
37927	9
37929	7
Timer Knob 33898	5
33898W	7, 9, 11
35333*	5, 7, 9, 11

Timer Knob Skirt 36700*	5, 7, 9, 11
38841	5
38841W	7, 9, 11
Top Cover 39905*	5, 7, 9, 11
Torx Bit Holder 24161	47
Transmission Assembly 38826P	37
Transmission Assembly 38165P	37
Transmission Case Assembly 33223	37
Transmission Cover 37471	37
Transmission Oil 27243P	37
Transmission Pin Tool 305P4	47
Tub-to-Pump Hose 38351	33
12 Gauge Wire 45380	50
Twin Speed Nut M400981	13
T25 Tamper Resistant Bit 282P4	47

W

Warning Label 500049	29, 31
Washer 26509	35, 37
27015	35
29260	37
35092	37
35535	35
37772	19
39249	29, 31
504082	19
52549	19
81392	19
Washer Shipping Brace 200553	47
Washtub 39240P	25, 27
39250P	21, 23
39252P	21, 23
719P3	21, 23, 25, 27
Water Inlet Channel 39079	29, 31
Weldment and Bearing Assembly 39253	35
39254	35
Wire Clip 51291	45
687500	45
Wire Tie 55881	43